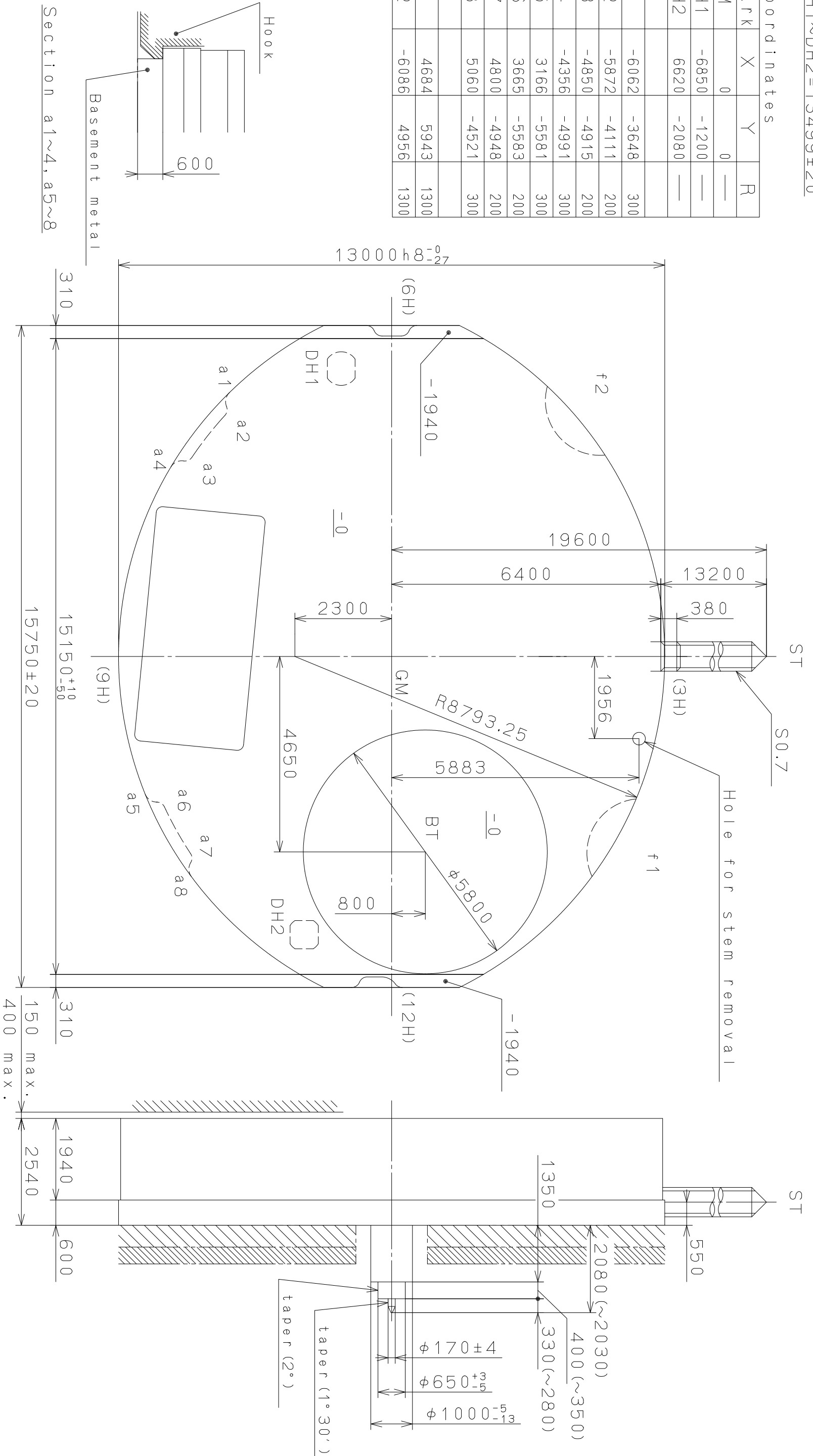


This drawing is provisional and subject to our reconfirmation and/or revision without notice.

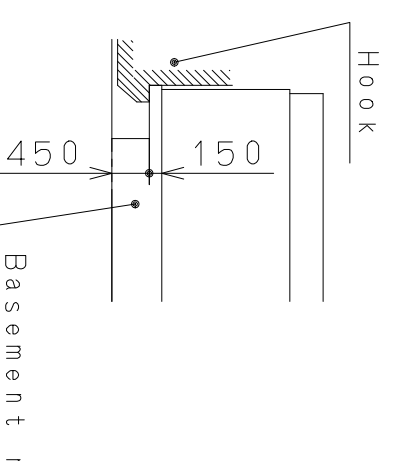
DH1~DH2=13499±20

Coordinates

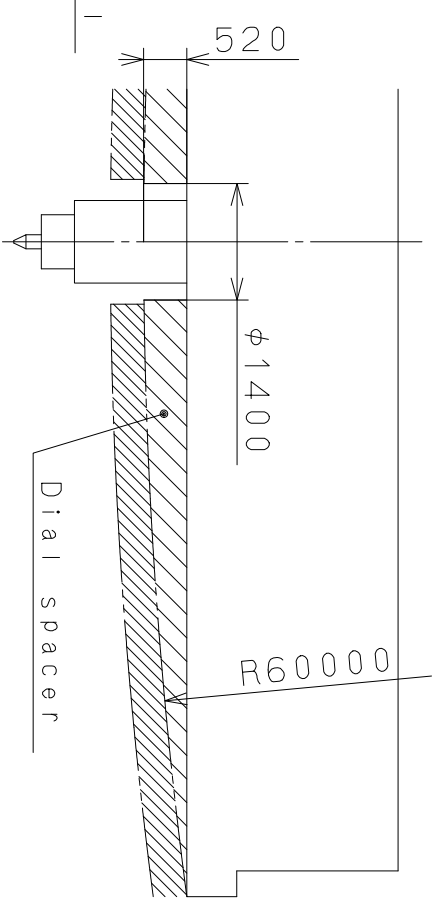
| Mark | X     | Y     | R    |
|------|-------|-------|------|
| GM   | 0     | 0     | —    |
| DH1  | -6850 | -1200 | —    |
| DH2  | 6620  | -2080 | —    |
| a1   | -6062 | -3648 | 300  |
| a2   | -5872 | -4111 | 200  |
| a3   | -4850 | -4915 | 200  |
| a4   | -4356 | -4991 | 300  |
| a5   | 3166  | -5581 | 300  |
| a6   | 3665  | -5583 | 200  |
| a7   | 4800  | -4948 | 200  |
| a8   | 5060  | -4521 | 300  |
| f1   | 4684  | 5943  | 1300 |
| f2   | -6086 | 4956  | 1300 |



Section a1~4, a5~8



Section f1, f2



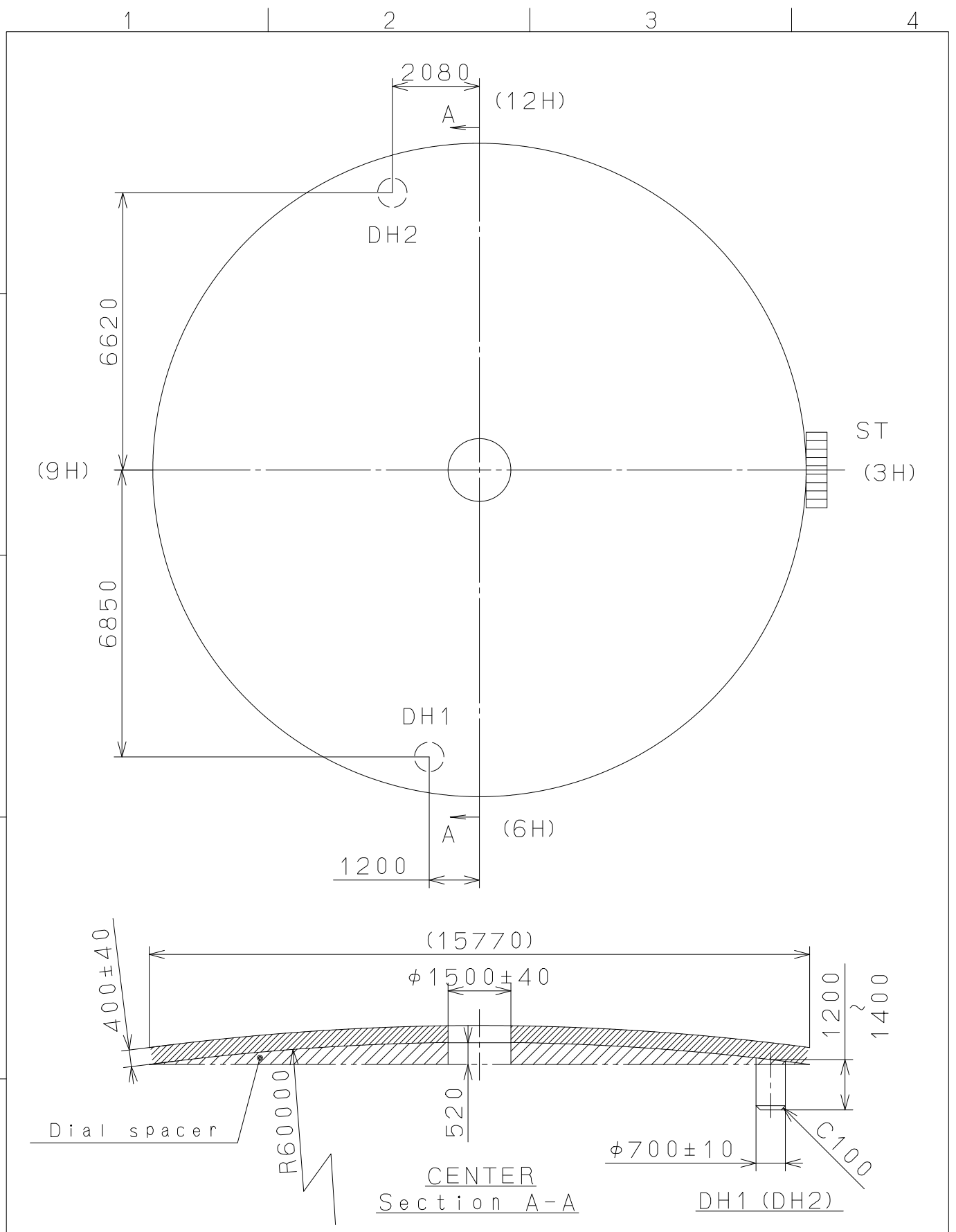
| Mark           | Date | Description | Appr.    | Checked | Drawn | D. Yamada | Name:                 |
|----------------|------|-------------|----------|---------|-------|-----------|-----------------------|
| Alterations    |      |             | Approved |         |       |           | Frame for Case        |
| Material       |      |             |          |         |       |           | Drawing No.: 5Y3600C1 |
| Heat Treatment |      |             |          |         |       |           |                       |
| Hardness       |      |             |          |         |       |           |                       |
| Plating        |      |             |          |         |       |           |                       |

| Quantity | Unit      | Cal. NO.:  |
|----------|-----------|------------|
| 1        | 1/1000 mm | 5Y36       |
| Scale    | Date      | Parts No.: |
| 1:1      |           |            |

**MIYOTA**  
CITIZEN WATCH CO., LTD. TOKYO, JAPAN

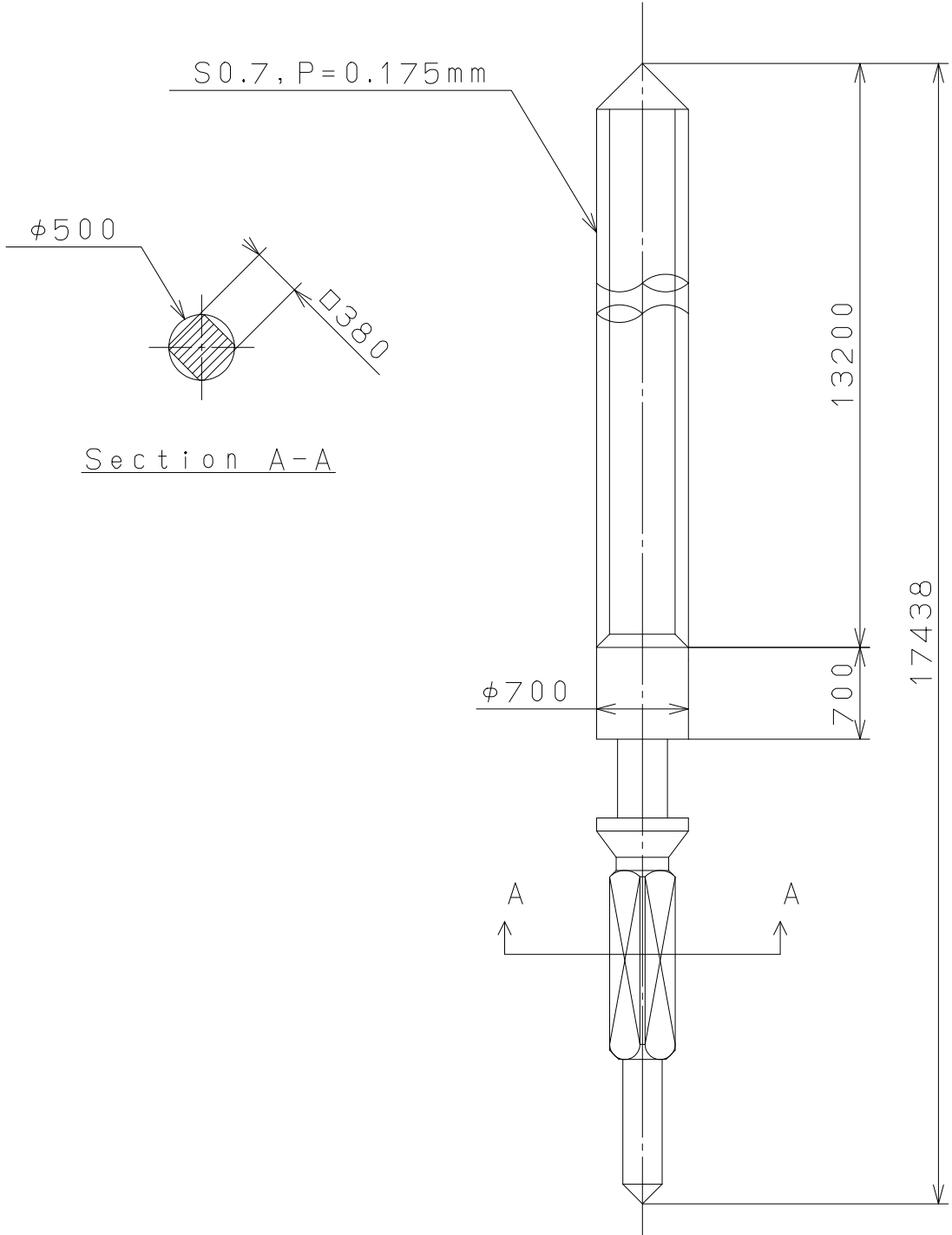
This drawing is provisional and subject to our reconfirmation and/or revision without notice.



|                |      |             |          |                    |                                      |
|----------------|------|-------------|----------|--------------------|--------------------------------------|
| △              |      |             | Quantity |                    | Cal.NO.:                             |
| △              |      |             | Unit     | 1 / 1000 mm        | 5Y36-10A                             |
| △              |      |             | Scale    | 8 : 1              | Parts No.:                           |
| △              |      |             | Date     |                    |                                      |
| △              |      |             | Drawn    |                    |                                      |
| Mark           | Date | Description | Appr.    | Checked            | Name:                                |
|                |      | Alterations |          | Approved           | D. Yamada                            |
| Material       |      |             |          |                    | Indications for Dial                 |
| Heat Treatment |      |             |          |                    | Drawing No.: 5Y3600D0                |
| Hardness       |      |             |          | General Tolerances | <b>MIYOTA</b>                        |
| Plating        |      |             |          | Dimensions         |                                      |
|                |      |             |          | Angles             | CITIZEN WATCH CO., LTD. TOKYO, JAPAN |

This drawing is provisional and subject to our reconfirmation and/or revision without notice.

A  
B  
C  
D  
E  
F



|                |      |             |            |            |                                      |
|----------------|------|-------------|------------|------------|--------------------------------------|
|                |      |             | Quantity   |            | Cal.NO.:                             |
|                |      |             | Unit       | 1/1000mm   |                                      |
|                |      |             | Scale      | 20:1       | Parts No.:                           |
|                |      |             | Date       |            | 065-403                              |
|                |      |             | Drawn      |            |                                      |
| Mark           | Date | Description | Appro.     | Checked    | Name:                                |
|                |      | Alterations | Approved   | D. Yamada  | SETTING STEM                         |
| Material       |      |             |            |            | Drawing No.: 403000S1                |
| Heat Treatment |      |             | General    | Tolerances | <b>MIYOTA</b>                        |
| Hardness       |      |             | Dimensions |            |                                      |
| Plating        |      |             | Angles     |            |                                      |
|                |      |             |            |            | CITIZEN WATCH CO., LTD. TOKYO, JAPAN |