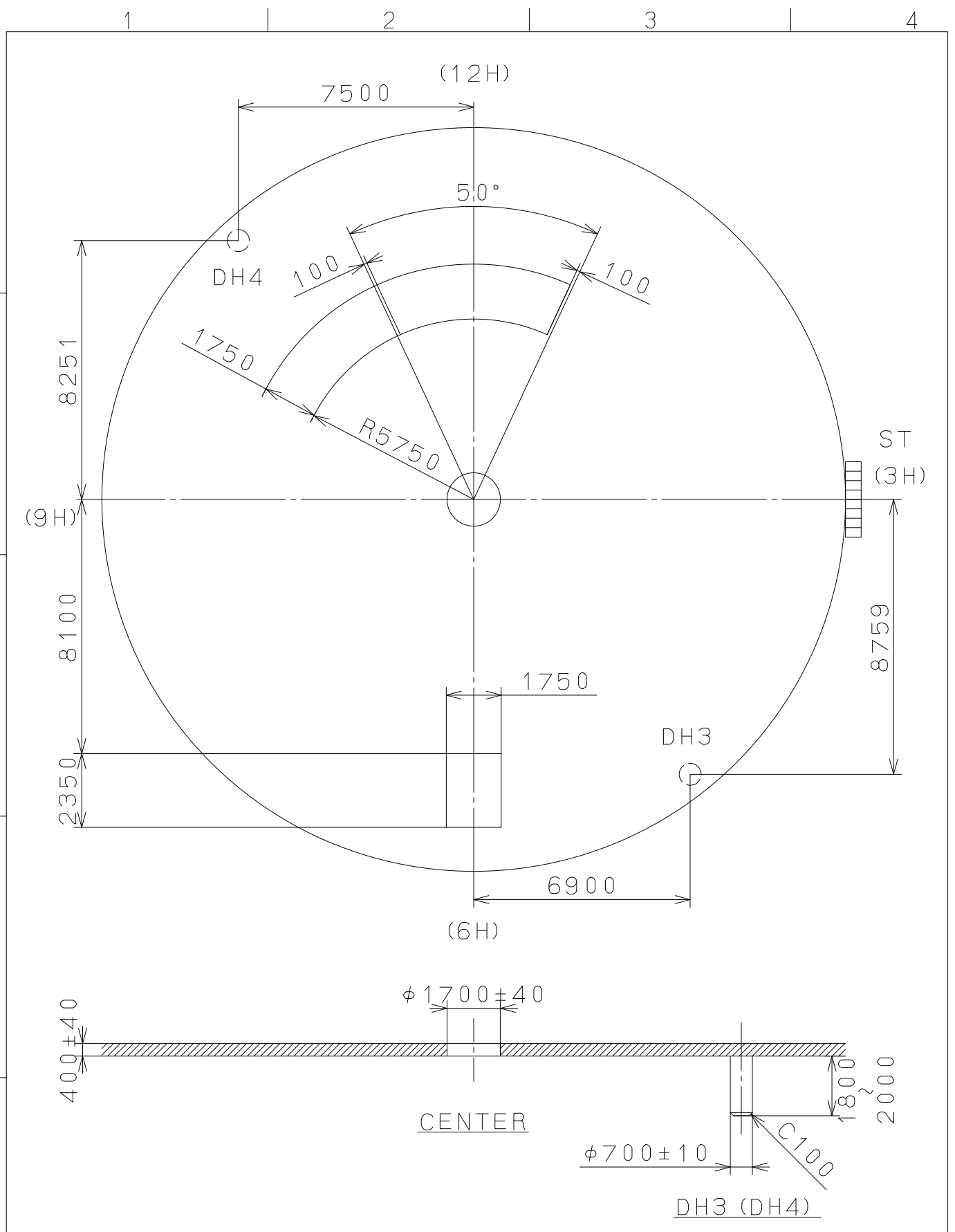


This drawing is provisional and subject to our reconfirmation and/or revision without notice.



△			Quantity		Cal.NO.:	
△			Unit	1 / 1000 mm		2105-2QA
△			Scale	6 : 1	Parts No.:	
△			Date			
△			Drawn			
Mark	Date	Description	Appr.	Checked	D. Yamada	Name:
Alterations			Approved			Indications for Dial
Material					Drawing No.: 210508D0	
Heat Treatment					MIYOTA CITIZEN WATCH CO., LTD. TOKYO, JAPAN	
Hardness						
Plating						