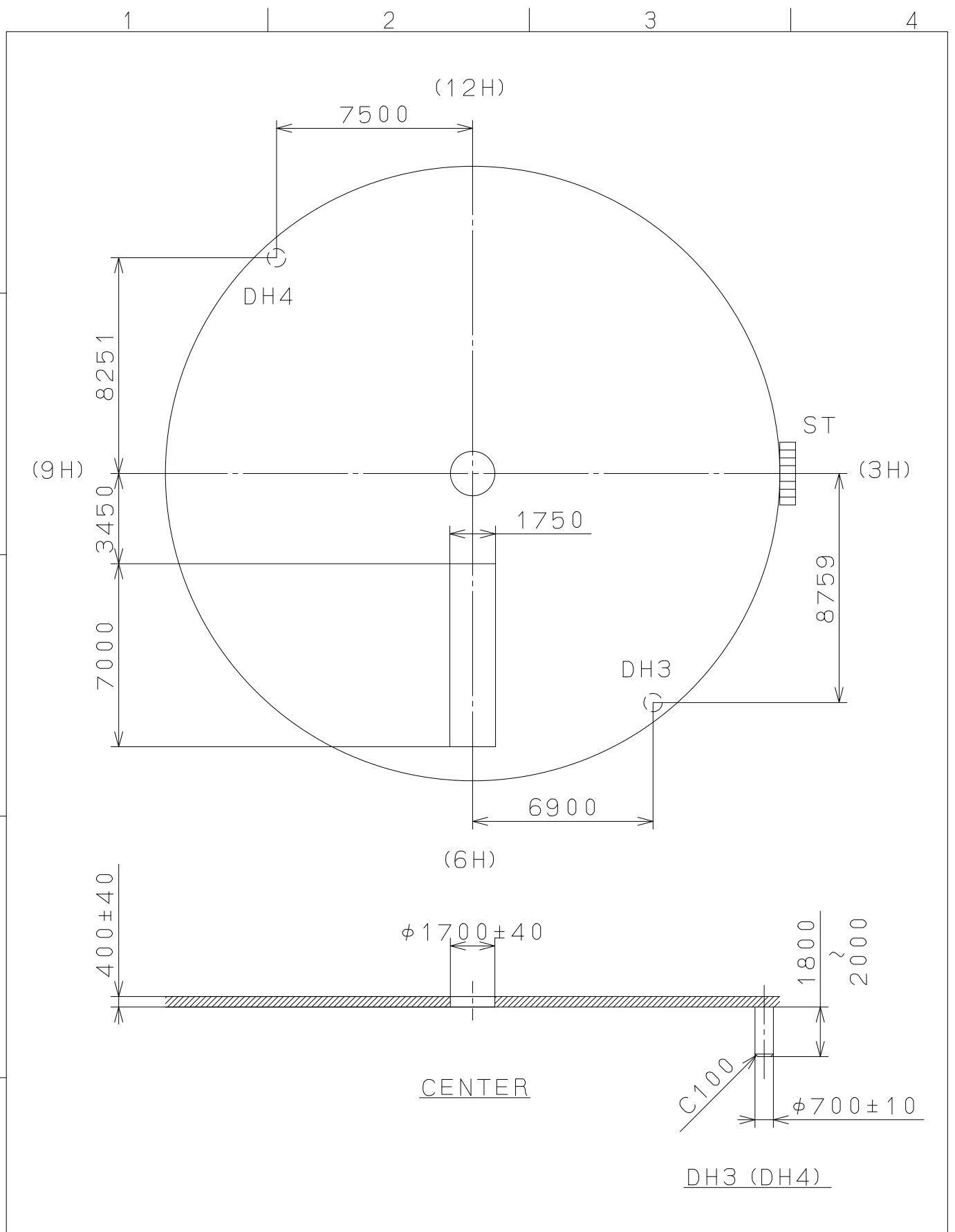


This drawing is provisional and subject to our reconfirmation and/or revision without notice.



△			Quantity		Cal.NO.:
△			Unit	1/1000 _{mm}	GM02-1CZ
△			Scale	5:1	Parts No.:
△			Date		
△			Drawn		
Mark	Date	Description	Appro.	Checked	D.Yamada
Alterations			Approved	Name:	
Material					Indications for Dial
Heat Treatment					Drawing No.:GM0207D0
Hardness					MIYOTA
Plating					