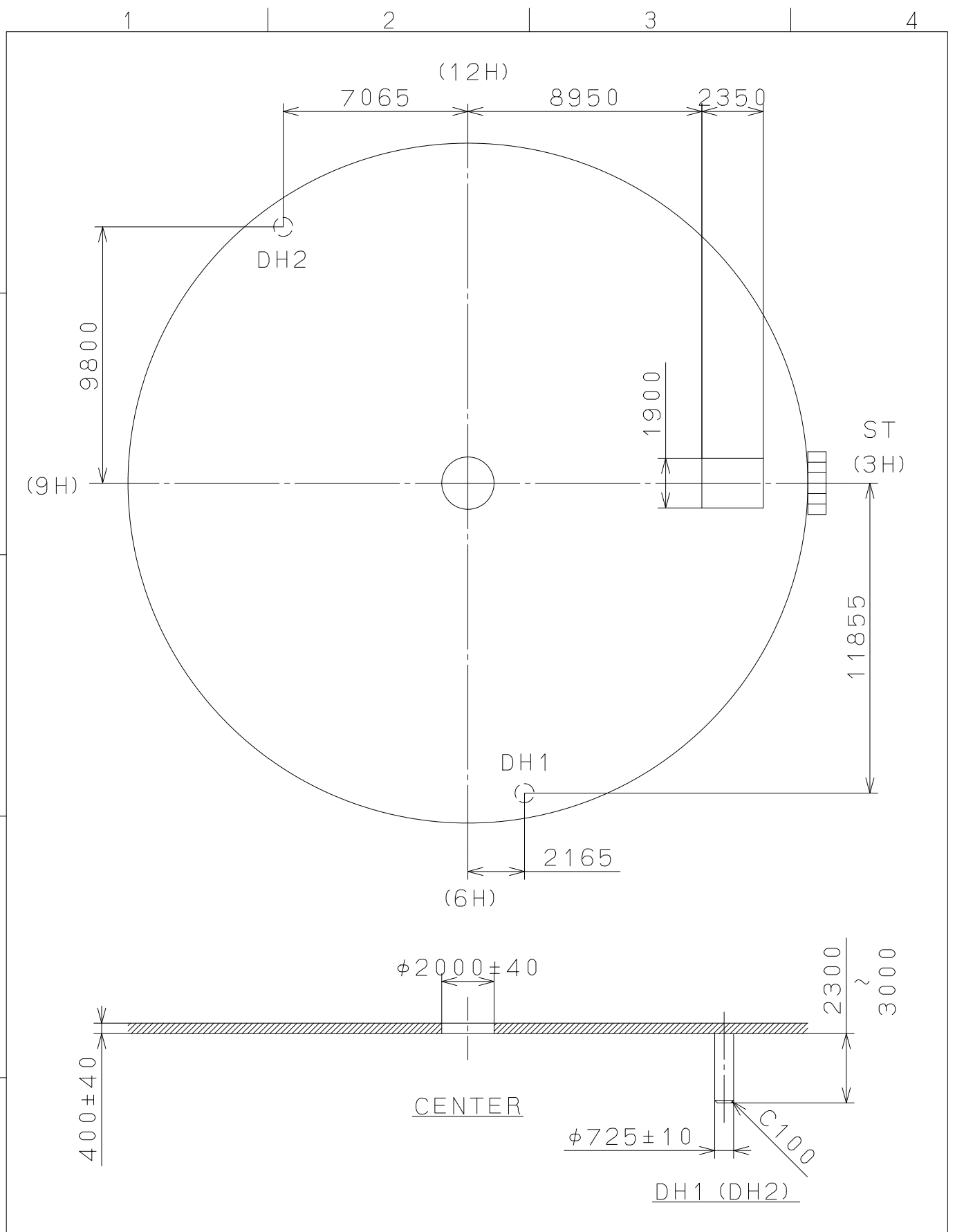


Quantity	Unit	Cal. NO.:
1	1/1000 mm	8315
Scale	Date	Parts No.:
6 : 1		
Drawn	Checked	Name:
	D. Yamada	Frame for Case
Approved		Drawing No.: 831500C1

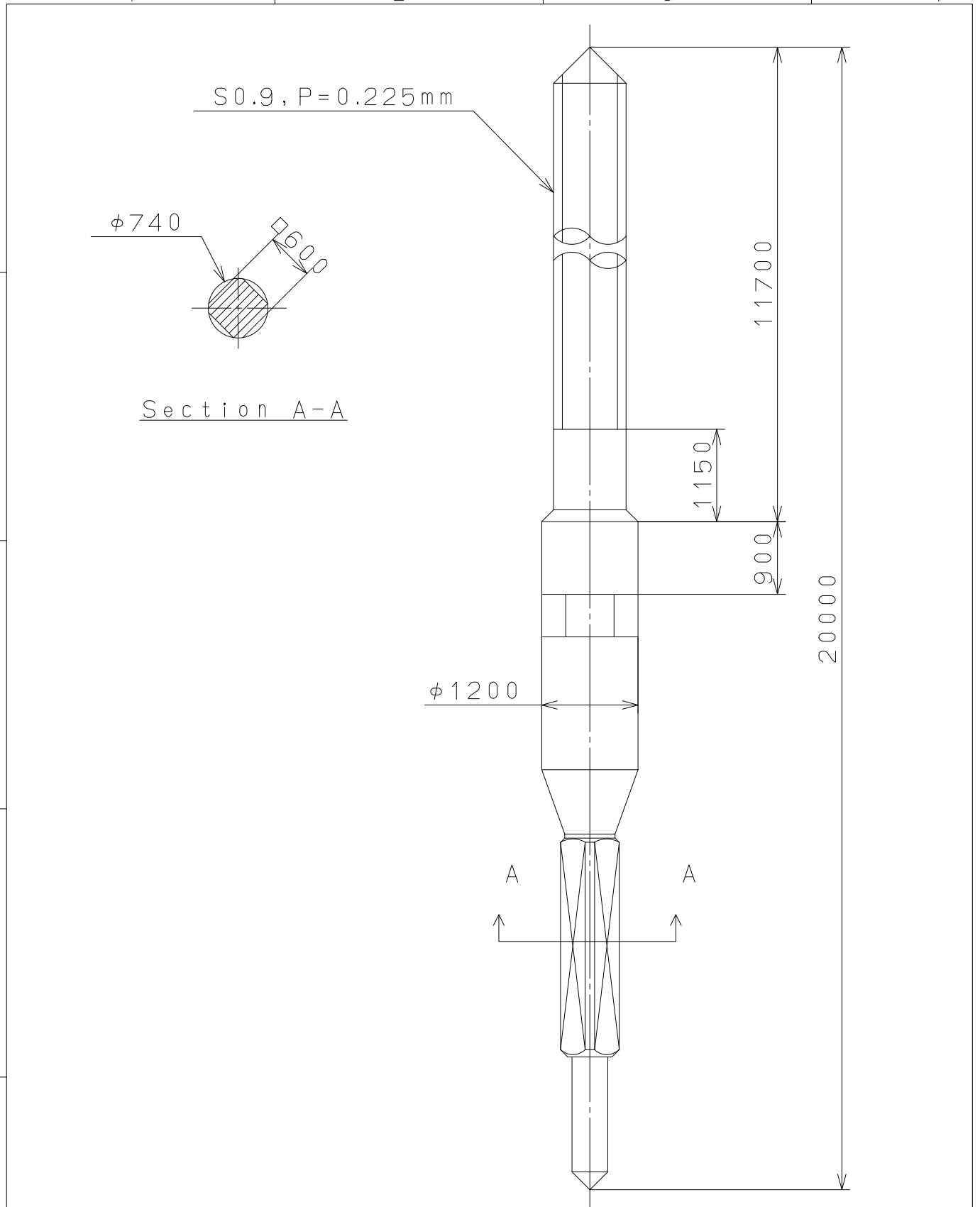
Material	Alterations	General Tolerances
Heat Treatment		
Hardness		
Plating		
Date		Miyota
Description		
Mark		CITIZEN WATCH CO., LTD. TOKYO, JAPAN
Date		

This drawing is provisional and subject to our reconfirmation and/or revision without notice.

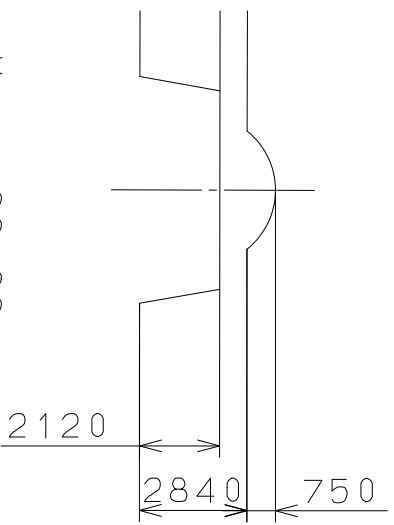
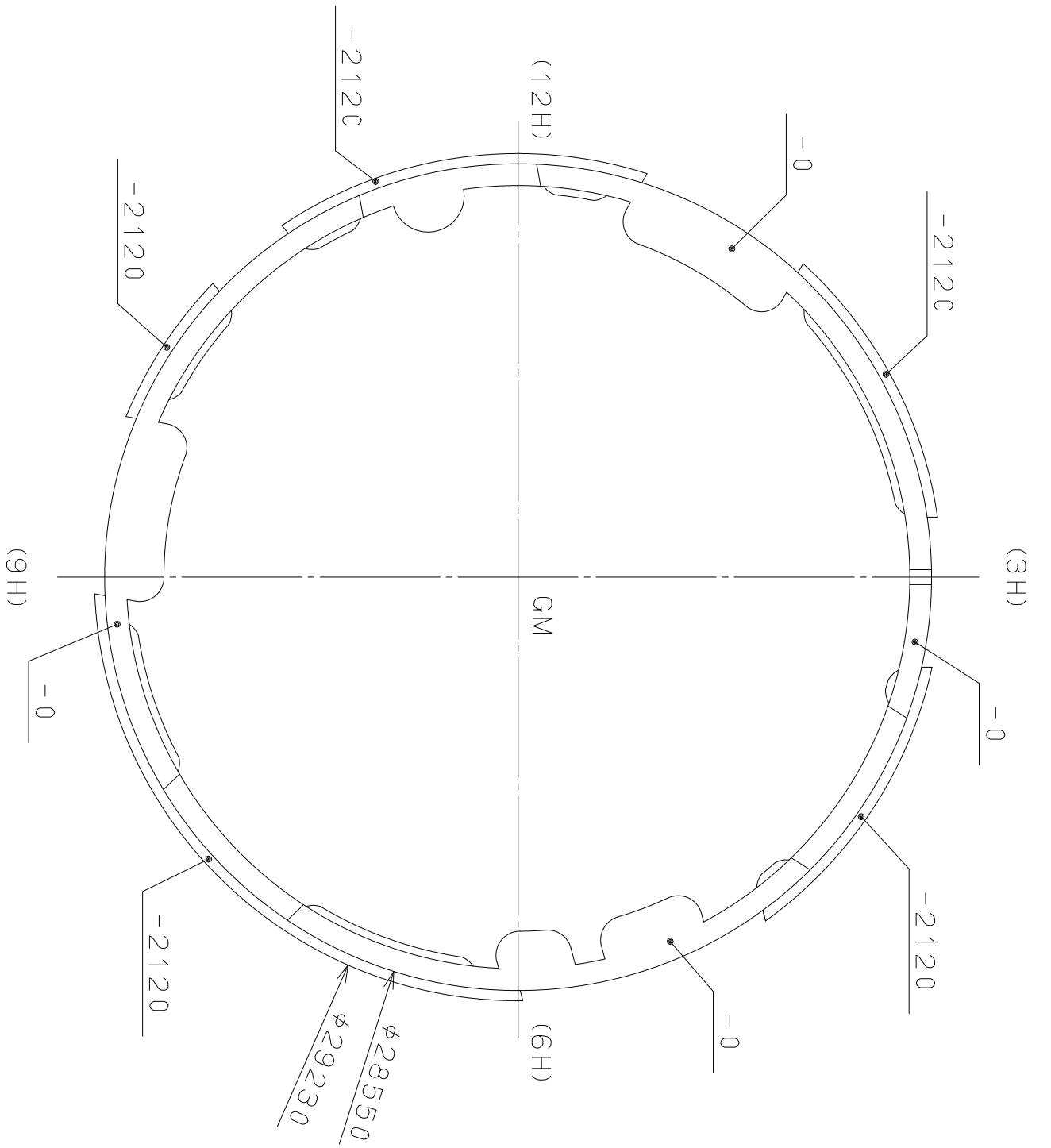


△			Quantity		Cal.NO.:
△			Unit	1 / 1000 mm	8315-21A
△			Scale	5 : 1	Parts No.:
△			Date		
△			Drawn		
Mark	Date	Description	Appr.	Checked	Name:
		Alterations	Approved	D. Yamada	Indications for Dial
Material					Drawing No.: 831500D0
Heat Treatment				General Tolerances	MIYOTA
Hardness				Dimensions	
Plating				Angles	
					CITIZEN WATCH CO., LTD. TOKYO, JAPAN

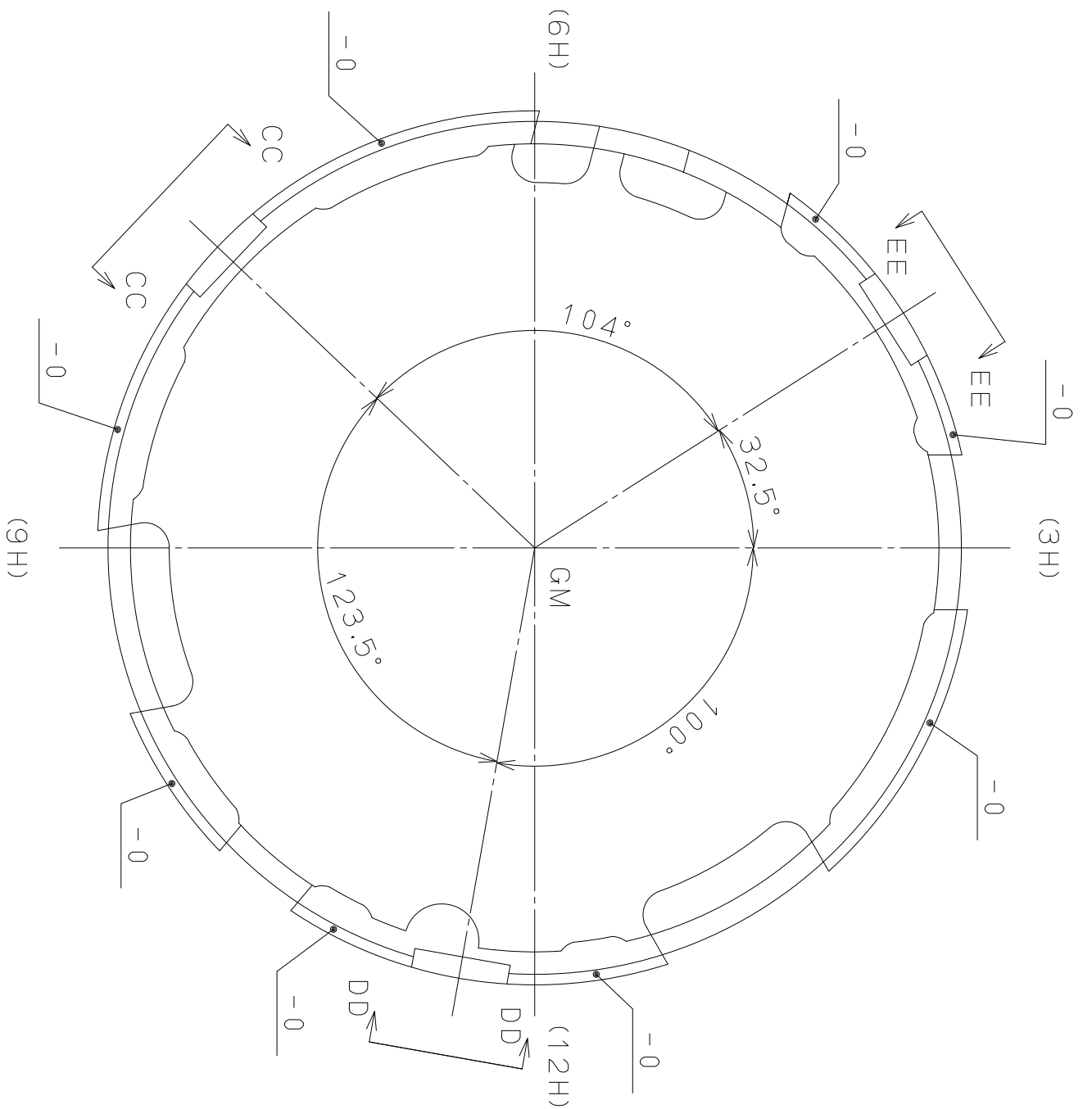
This drawing is provisional and subject to our reconfirmation and/or revision without notice.



△5			Quantity		Cal.NO.:
△4			Unit	1/1000mm	
△3			Scale	15:1	Parts No.:
△2			Date		065-212
△1			Drawn		Name:
Mark	Date	Description	Appr.	Checked	D. Yamada
Alterations			Approved	SETTING STEM	
Material					Drawing No.: 212000S0
Heat Treatment	General Tolerances				MIYOTA
Hardness	Dimensions				
Plating	Angles				
					CITIZEN WATCH CO., LTD. TOKYO, JAPAN



View CC-CC
DD-DD, EE-EE



△	Quantity	Cal. NO.:
△	Unit	1/1000 mm
△	Scale	5 : 1
△	Date	Parts No.:
△	Drawn	500-710
Mark	Date	Name:
Alterations	Description	Casing Holder
Material	Checked	D. Yamada
Heat Treatment	Approved	
Hardness	General Tolerances	Drawing No.: 820500E0
Plating	Dimensions	MIYOTA
	Angles	CITIZEN WATCH CO., LTD. TOKYO, JAPAN