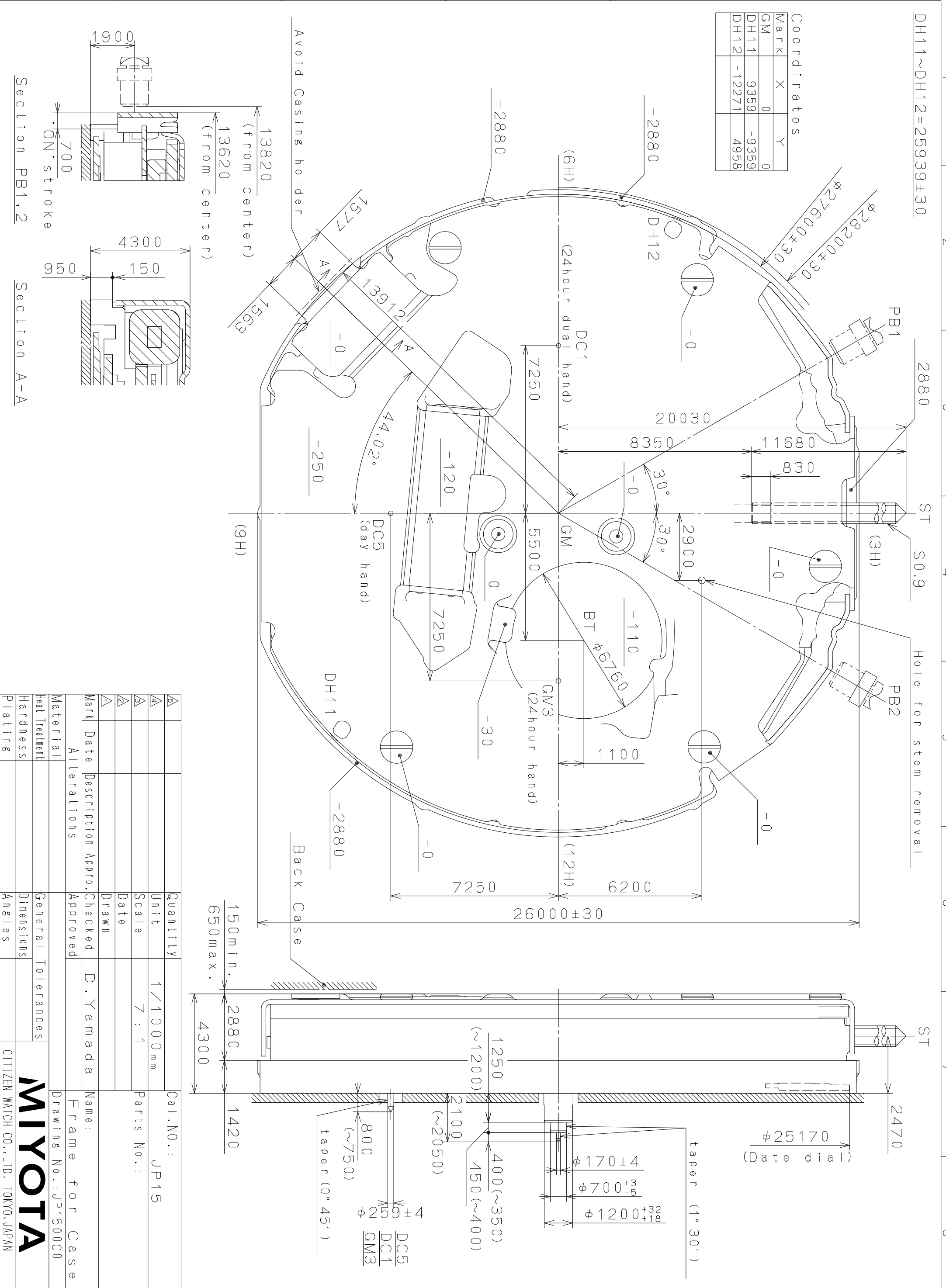


This drawing is provisional and subject to our reconfirmation and/or revision without notice.



Coordinates

Mark	X	Y
GM	0	0
DH11	9359	-9359
DH12	-12271	4958

Section PB1,2

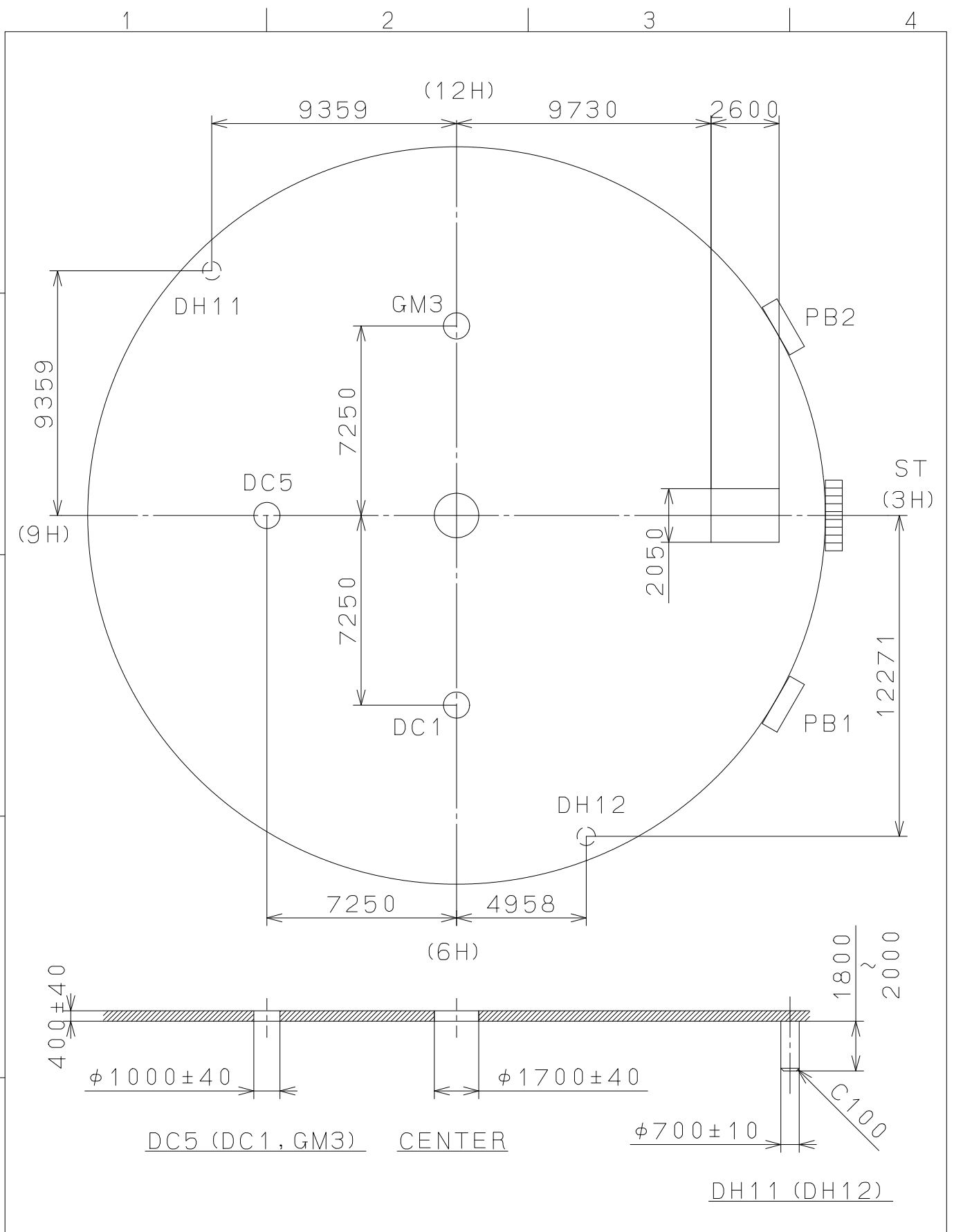
Section A-A

△5	Quantity		Cal. NO.:	JP15
△4	Unit	1/1000 mm	Parts No.:	
△3	Scale	7 : 1	Name:	Frame for Case
△2	Date		Drawing No.:	JP1500C0
△1	Drawn			
Mark	Date	Description	Appro.	Checked
			D. Yamada	
Alterations		Approved		
Material	General Tolerances			
Heat Treatment	Dimensions			
Hardness	Angles			
Plating	CITIZEN WATCH CO., LTD. TOKYO, JAPAN			

MIYOTA

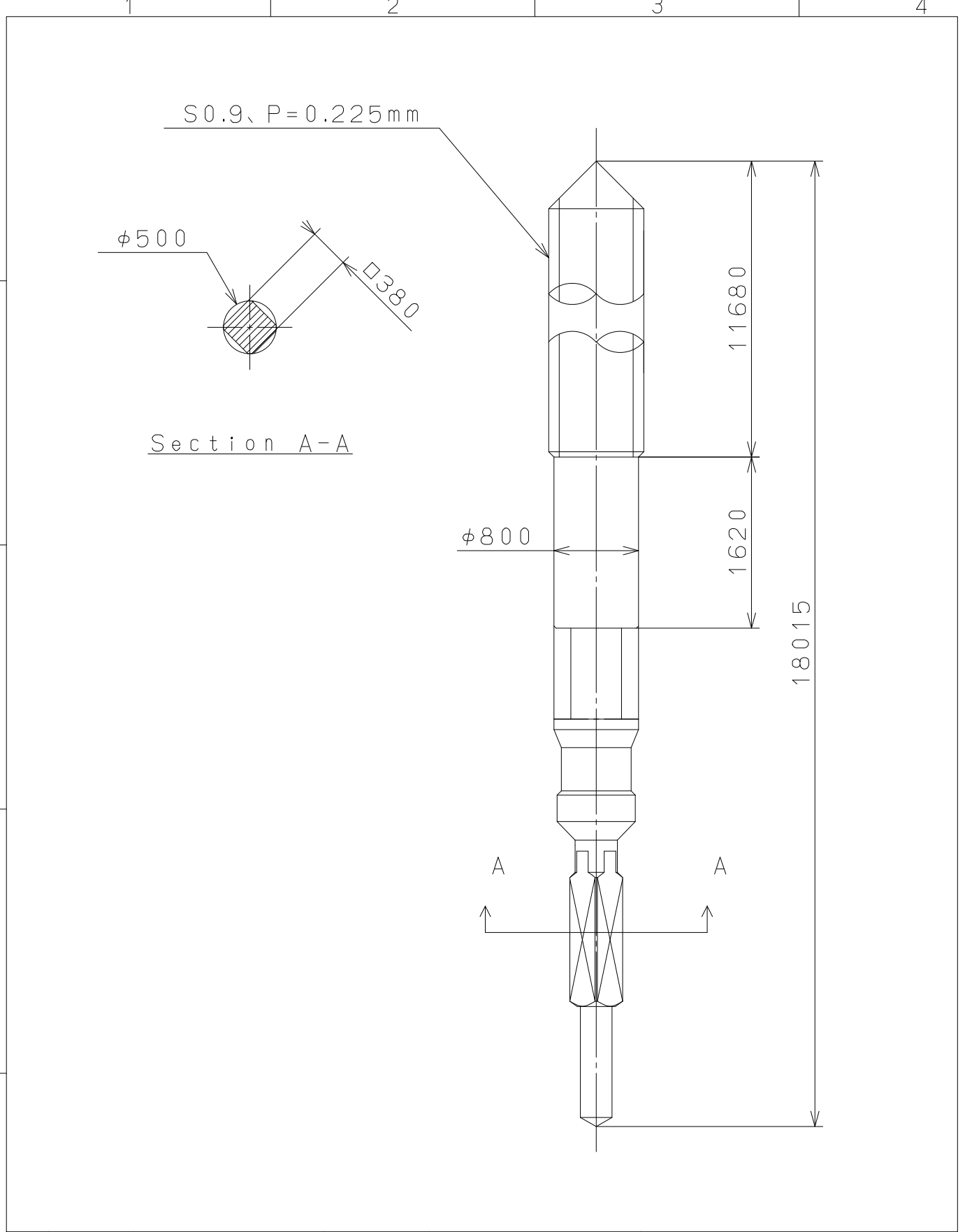
CONFIDENTIAL 2023/04/03 (14:13:10)

This drawing is provisional and subject to our reconfirmation and/or revision without notice.



△			Quantity		Cal.NO.:
△			Unit	1/1000 _{mm}	JP15-00C
△			Scale	5 : 1	Parts No.:
△			Date		
△			Drawn		
Mark	Date	Description	Appro.	Checked	Name:
		Alterations	Approved	D. Yamada	Indications for Dial
Material					Drawing No.: JP1500D0
Heat Treatment			General Tolerances		MIYOTA
Hardness			Dimensions		
Plating			Angles		
					CITIZEN WATCH CO., LTD. TOKYO, JAPAN

This drawing is provisional and subject to our reconfirmation and/or revision without notice.



⑤			Quantity		Cal.NO.:
④			Unit	1 / 1000 mm	
③			Scale	20 : 1	Parts No.:
②			Date		065-505
①			Drawn		
Mark	Date	Description	Appro.	Checked	D. Yamada
Alterations			Approved	Name: SETTING STEM	
Material					Drawing No.: 505000S0
Heat Treatment					MIYOTA CITIZEN WATCH CO., LTD. TOKYO, JAPAN
Hardness					
Plating					