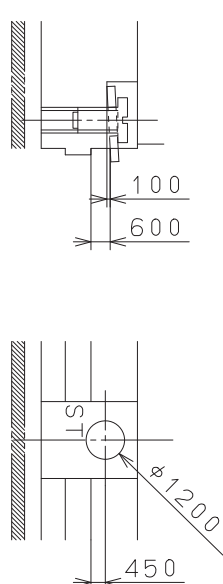
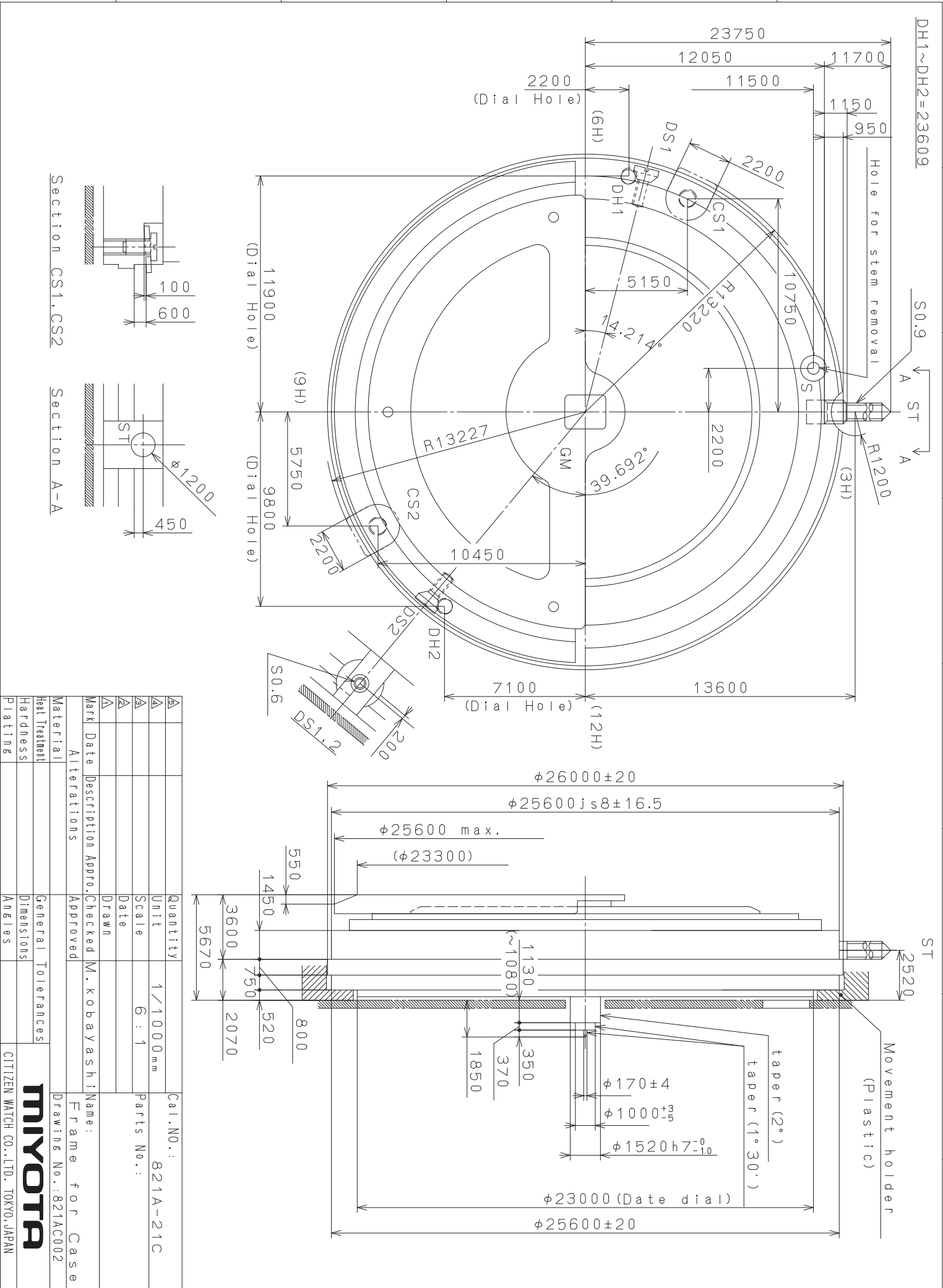
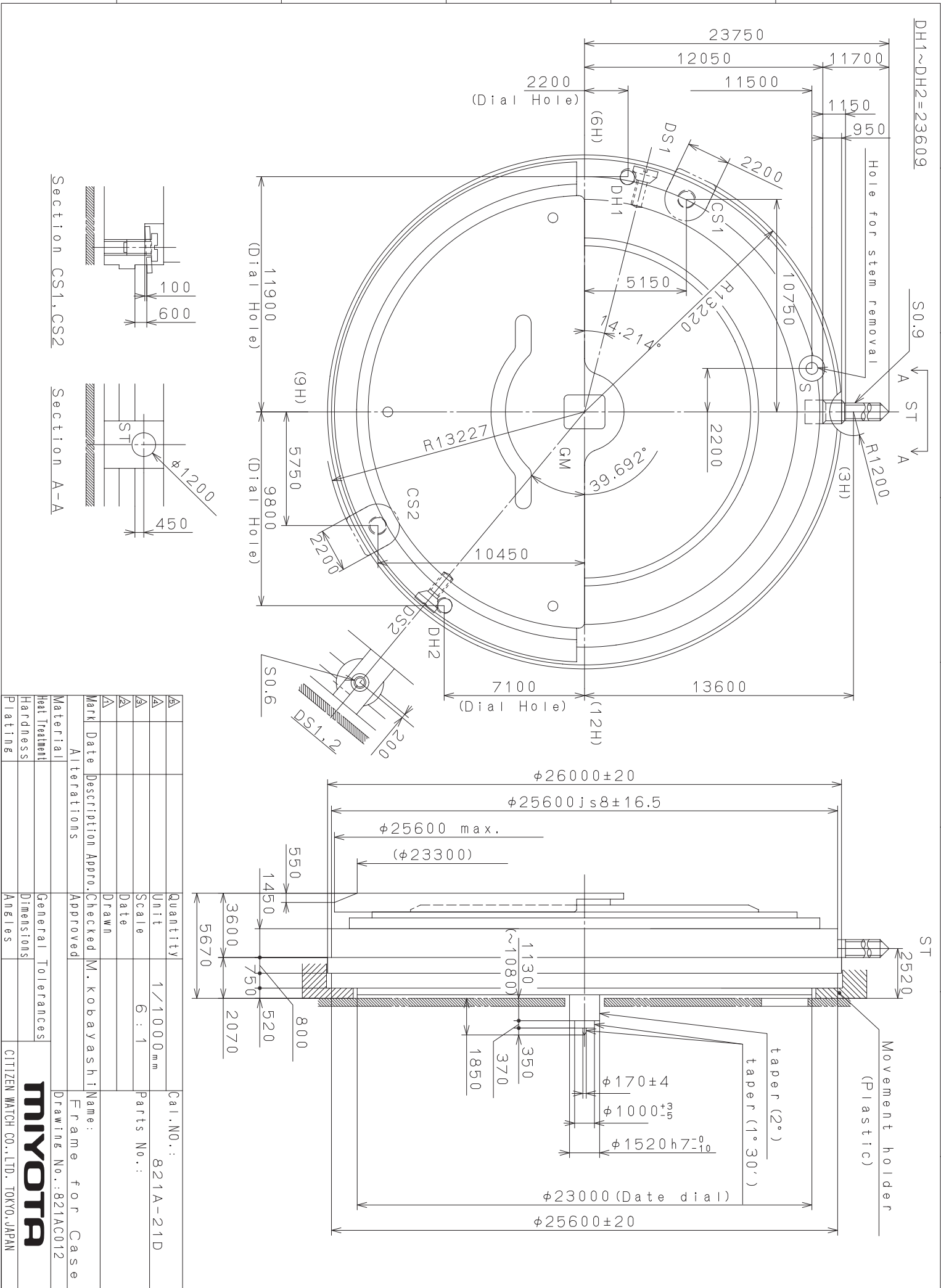


This drawing is provisional and subject to our reconfirmation and/or revision without notice.



Material	Alterations	Mark Date	Description	Appr.	Checked	M. Kobayashi	Name:
Heat Treatment	General Tolerances	Drawn		Approved			Frame for Case
Hardness	Dimensions						Drawing No.: 821AC002
Plating	Angles						CITIZEN WATCH CO., LTD. TOKYO, JAPAN
		Quantity	Unit	Scale	Cal. NO.:	821A-21C	
		1	1/1000 mm	6 : 1	Parts No.:		

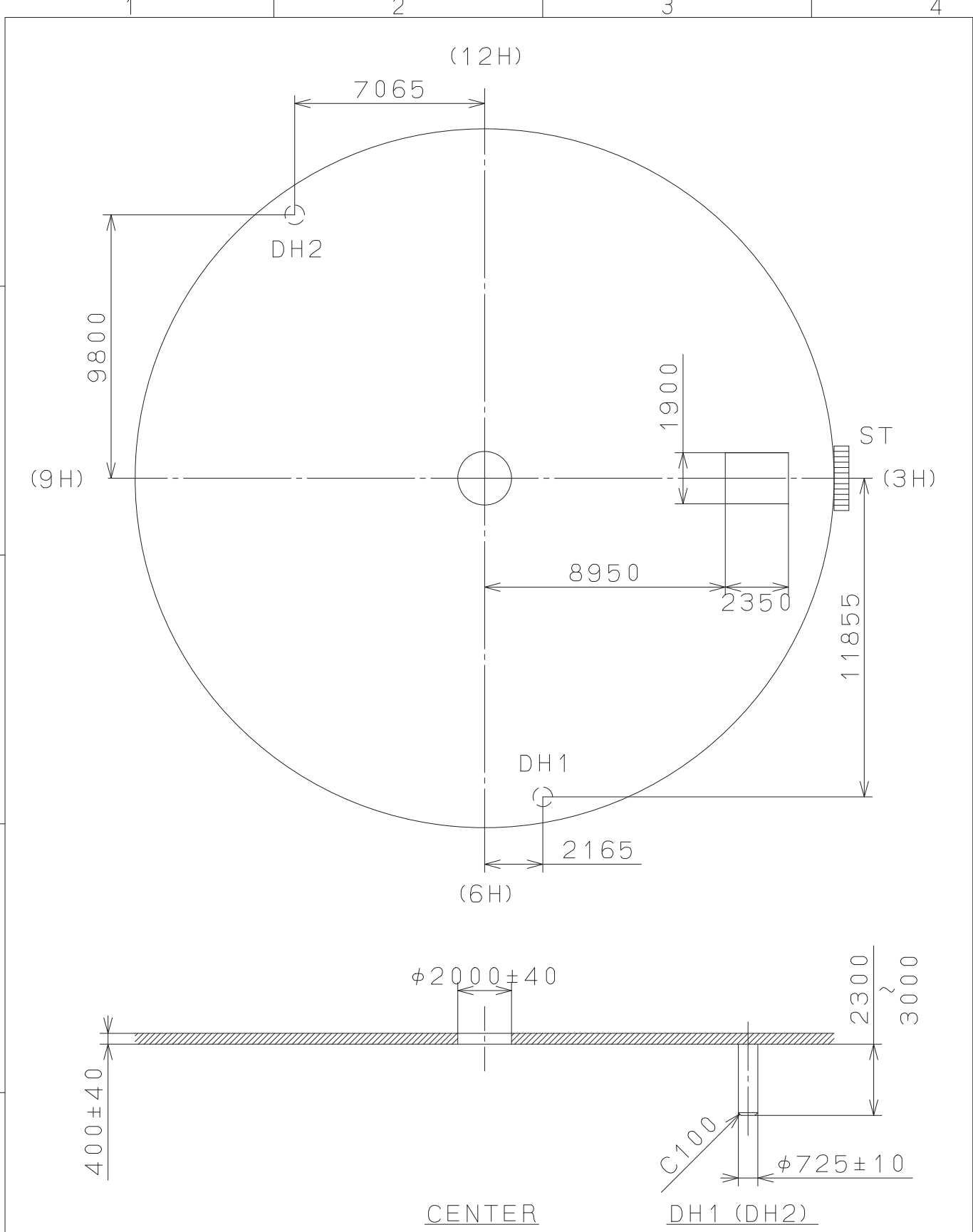
MIYOTA



Material	Alterations	Mark Date	Description	Appr.	Checked	M. Kobayashi	Name:
Heat Treatment	General Tolerances	Quantity	Unit	Scale	Date	Drawn	Frame for Case
Hardness	Dimensions	1/1000 mm	6:1				Drawing No.: 821AC012
Plating	Angles						Parts No.:
							Cal. NO.: 821A-21D

MIYOTA
CITIZEN WATCH CO., LTD. TOKYO, JAPAN

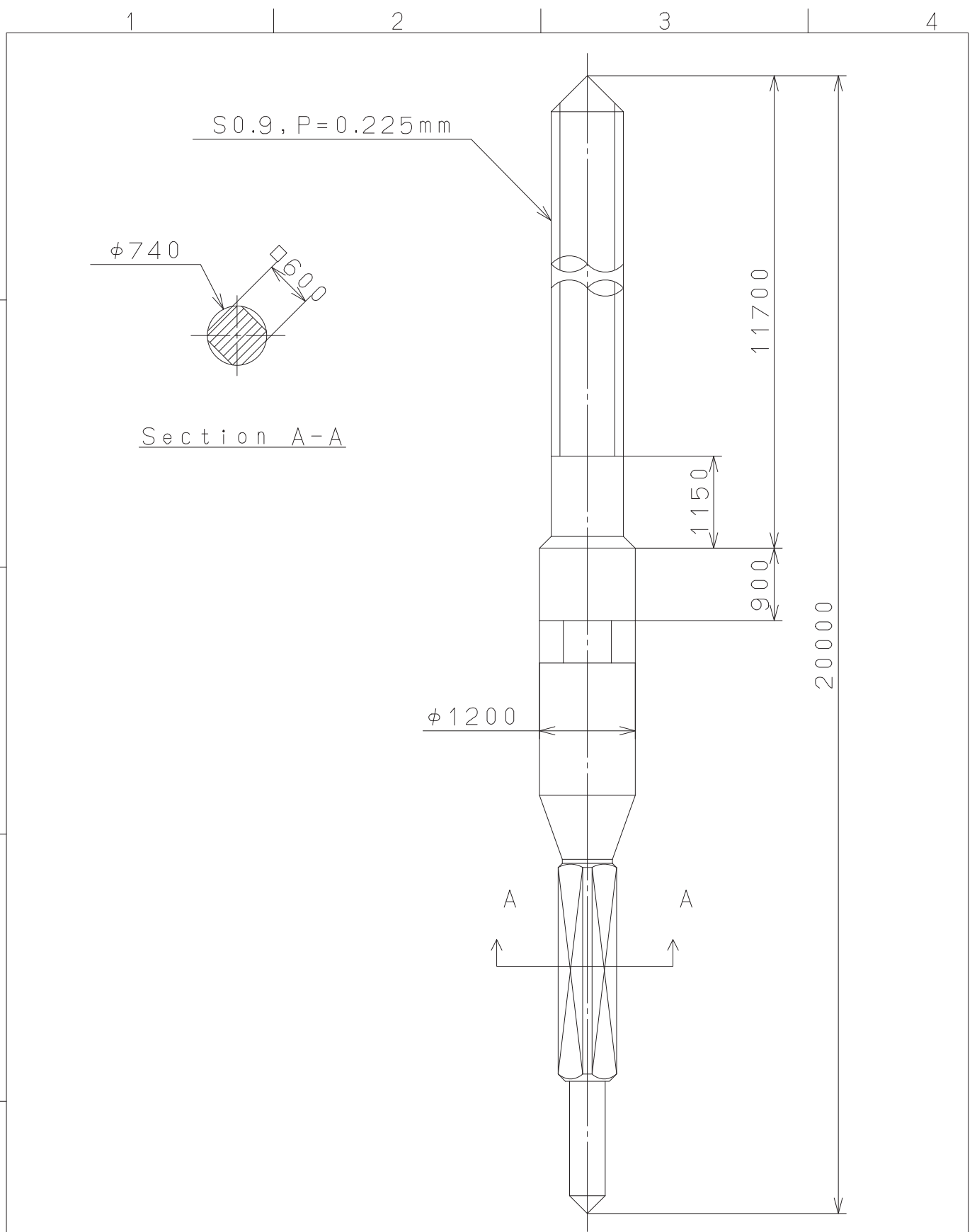
This drawing is provisional and subject to our reconfirmation and/or revision without notice.



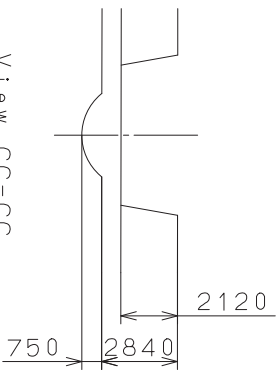
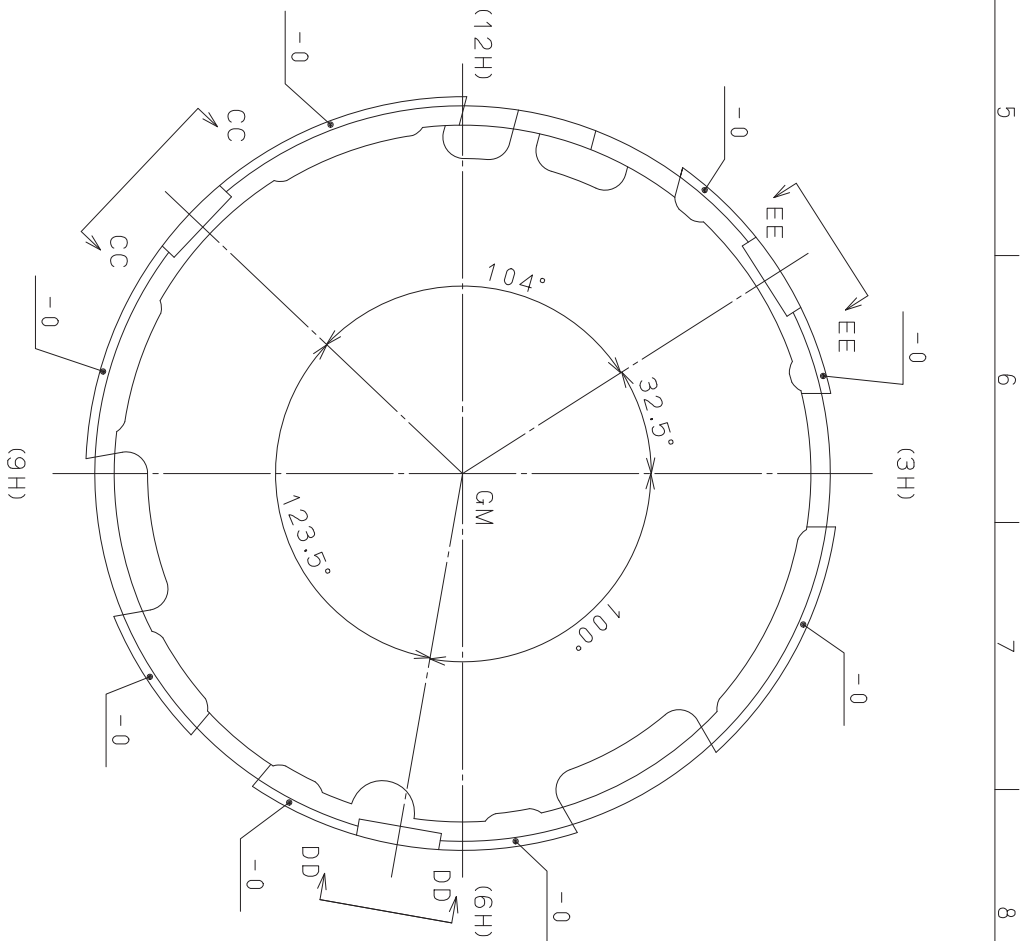
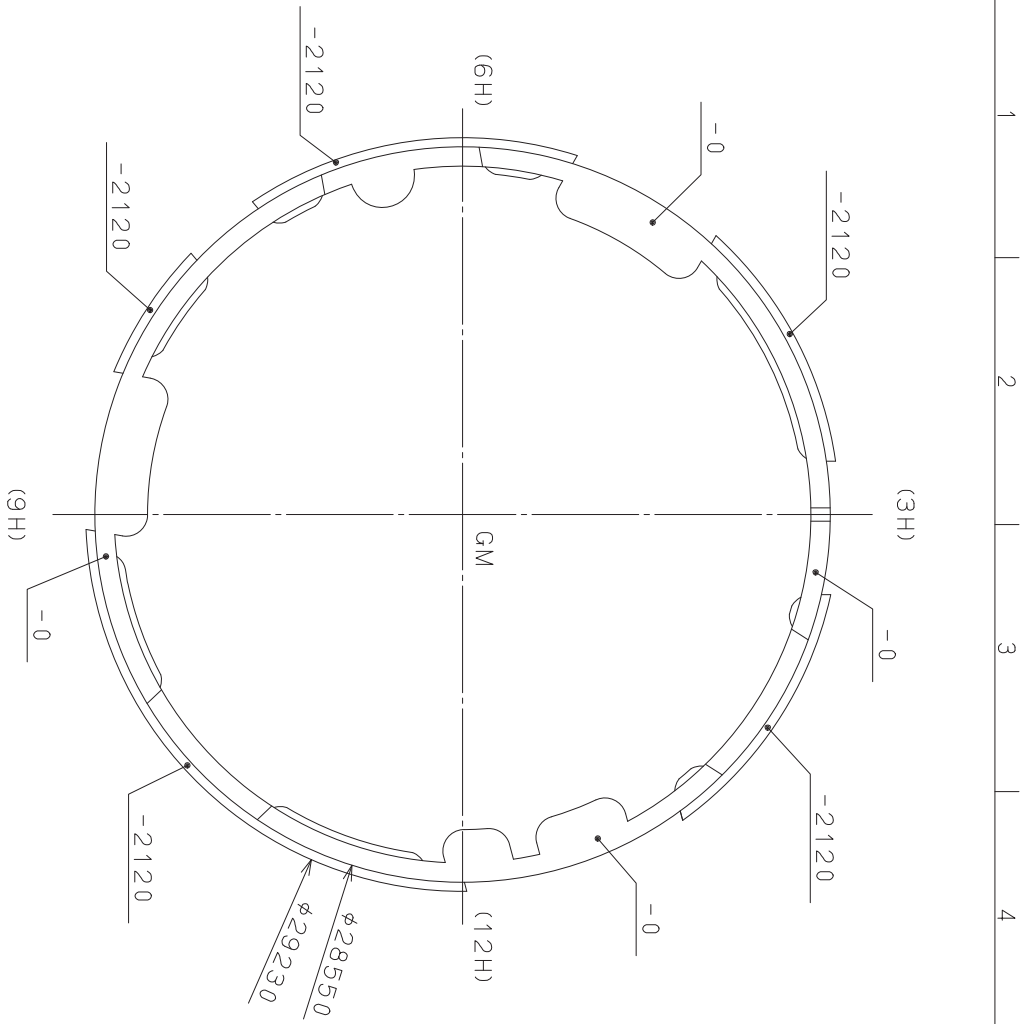
△5			Quantity		Cal. NO.:
△4			Unit	1 / 1000 mm	821A
△3			Scale	5 : 1	Parts No.:
△2			Date		
△1			Drawn		
Mark	Date	Description	Appr.	Checked	M. Kobayashi
Alterations			Approved	Name:	
Material					Drawing No.: 821AD000
Heat Treatment	General Tolerances				MIYOTA
Hardness	Dimensions				
Plating	Angles				
					CITIZEN WATCH CO., LTD. TOKYO, JAPAN

2008/11/14 (11:30:42)

This drawing is provisional and subject to our reconfirmation and/or revision without notice.



⑤			Quantity		Cal.NO.:
④			Unit	1/1000mm	
③			Scale	15:1	Parts No.:
②			Date		065-212
①			Drawn		
Mark	Date	Description	Appr.	Checked	Name:
		Alterations		Approved	SETTING STEM
Material					Drawing No.:2120S001
Heat Treatment			General Tolerances		MIYOTA
Hardness			Dimensions		
Plating			Angles		
					CITIZEN WATCH CO.,LTD. TOKYO,JAPAN



View CC-CC
DD-DD, EE-EE

Quantity	Unit	1/1000 mm	Cal. No.:
Scale	5 : 1	Parts No.:	500-710
Date	Drawn	Name:	Casing Holder
Mark	Date	Description	Checked
Alterations	Approved	N. Suzuki	
Material	Material		
Heat Treatment	Heat Treatment		
Hardness	Hardness		
Plating	Plating		
General Tolerances	CITIZEN WATCH CO., LTD. TOKYO, JAPAN		
MIYOTA			
Drawing No.: 8200E002			