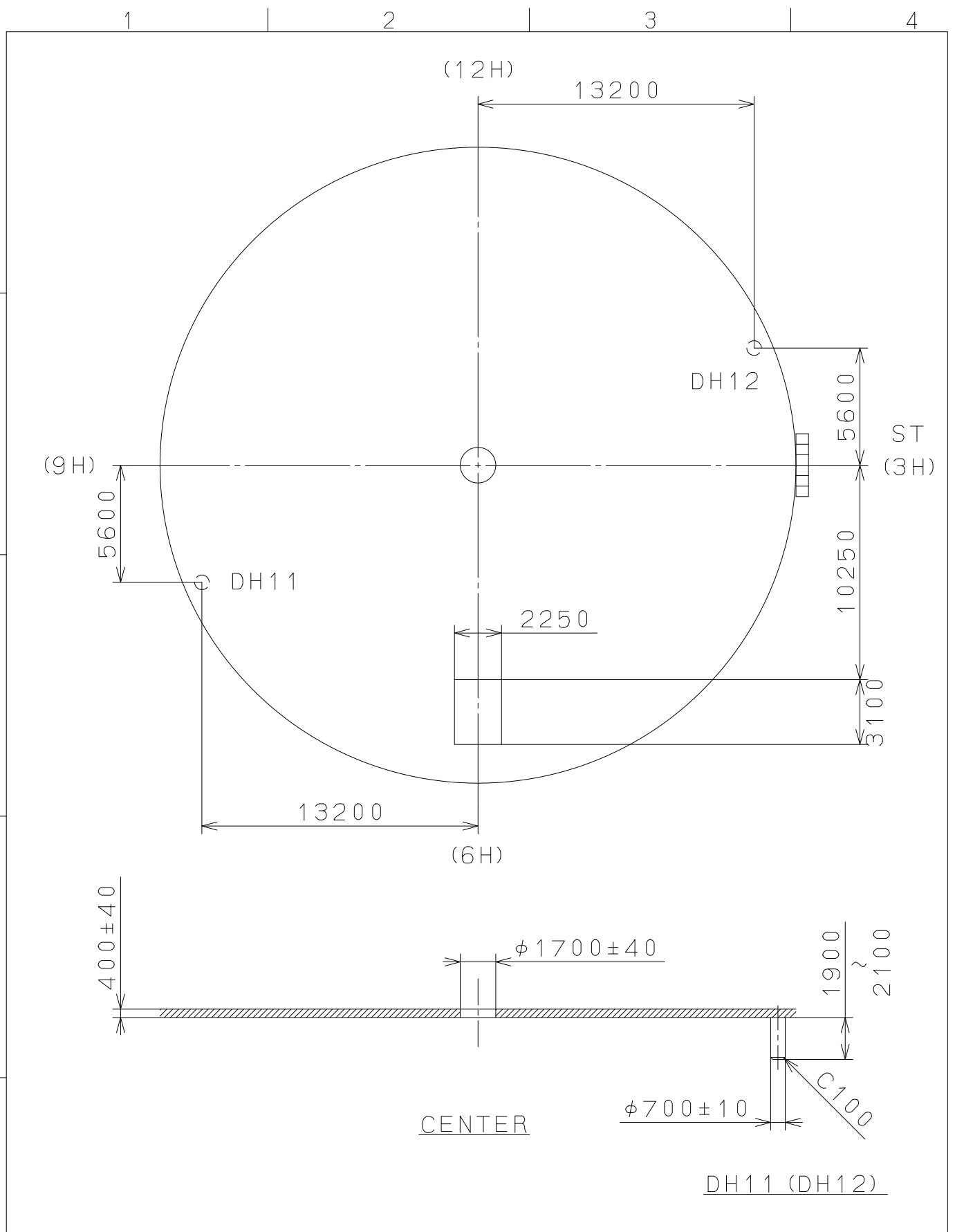


This drawing is provisional and subject to our reconfirmation and/or revision without notice.



△			Quantity		Cal.NO.:	
△			Unit	1 / 1000 mm	2415-20T	
△			Scale	4 : 1	Parts No.:	
△			Date			
△			Drawn			
Mark	Date	Description	Appro.	Checked	D. Yamada	Name:
Alterations			Approved	Indications for Dial		
Material					Drawing No.: 241503D0	
Heat Treatment	General Tolerances				<h1>MIYOTA</h1>	
Hardness	Dimensions					
Plating	Angles					
					CITIZEN WATCH CO., LTD. TOKYO, JAPAN	