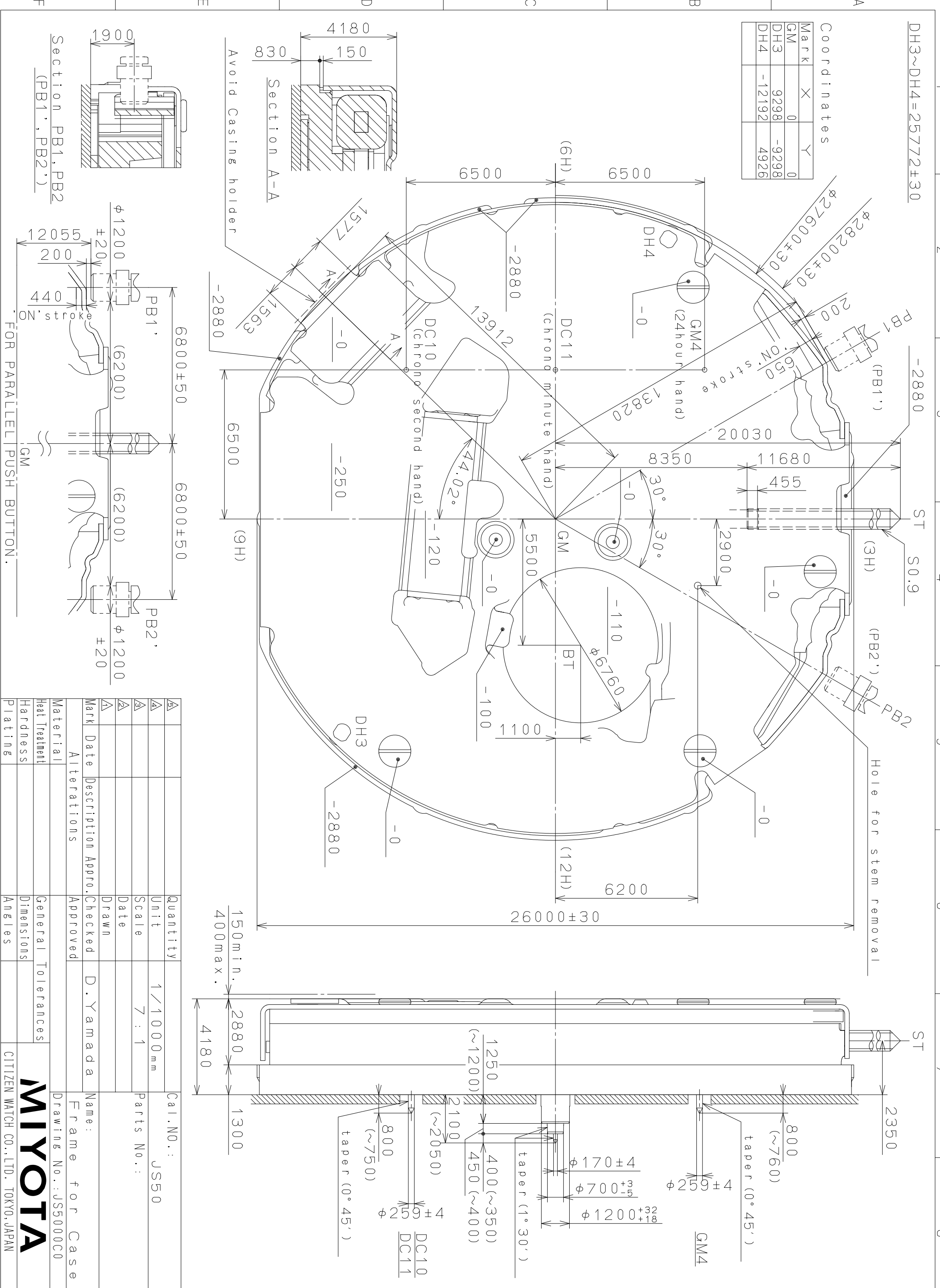


This drawing is provisional and subject to our reconfirmation and/or revision without notice.



Coordinates

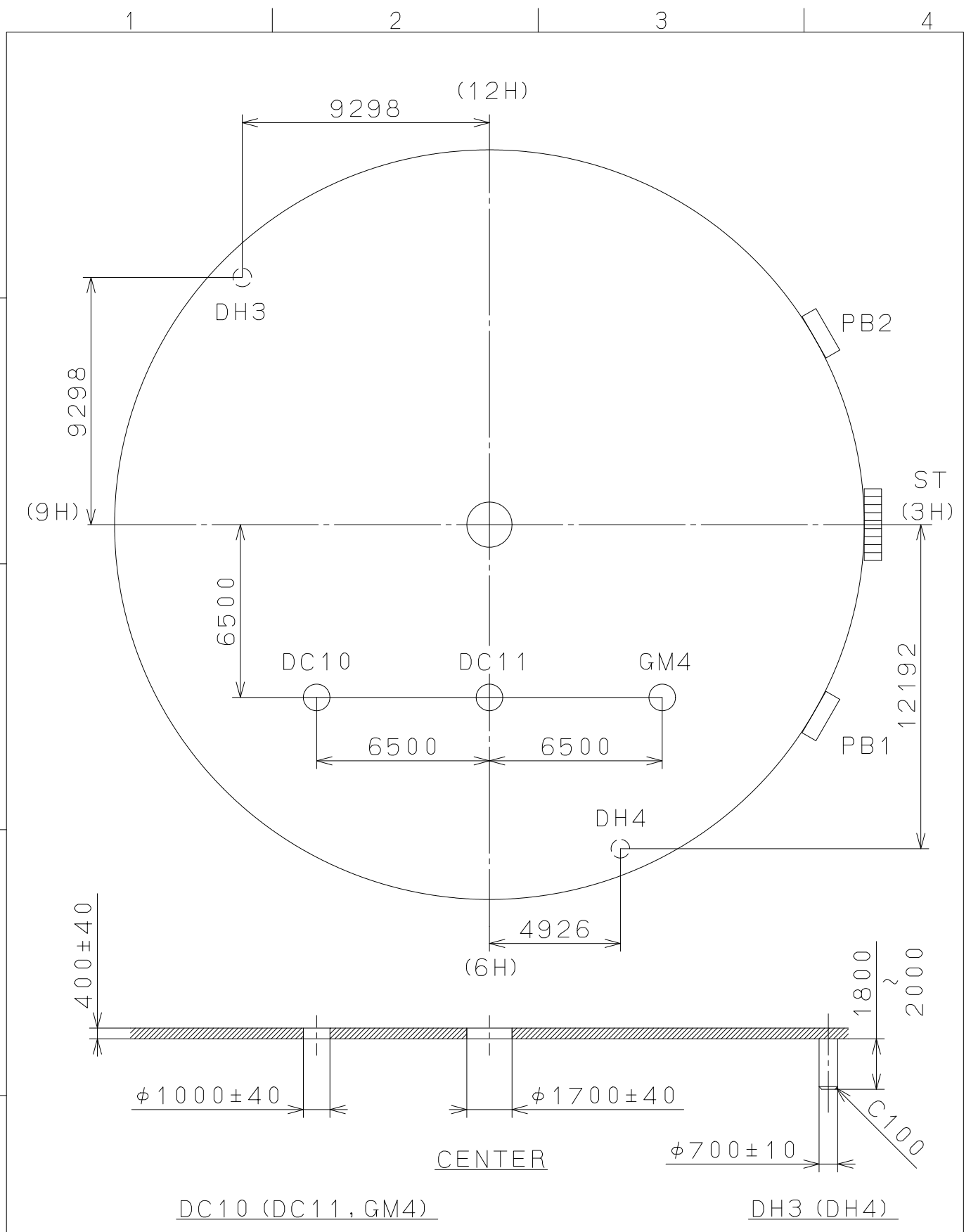
Mark	X	Y
GM	0	0
DH3	9298	-9298
DH4	-12192	4926

FOR PARALLEL PUSH BUTTON.

Material	Alterations	Quantity	Unit	Cal. NO.:
Material			1/1000 mm	JS50
Heat Treatment			Scale	7 : 1
Hardness			Date	
Plating			Drawn	
			Checked	
			Approved	
				D. Yamada
				Name:
				Frame for Case
				Drawing No.: JS5000C0

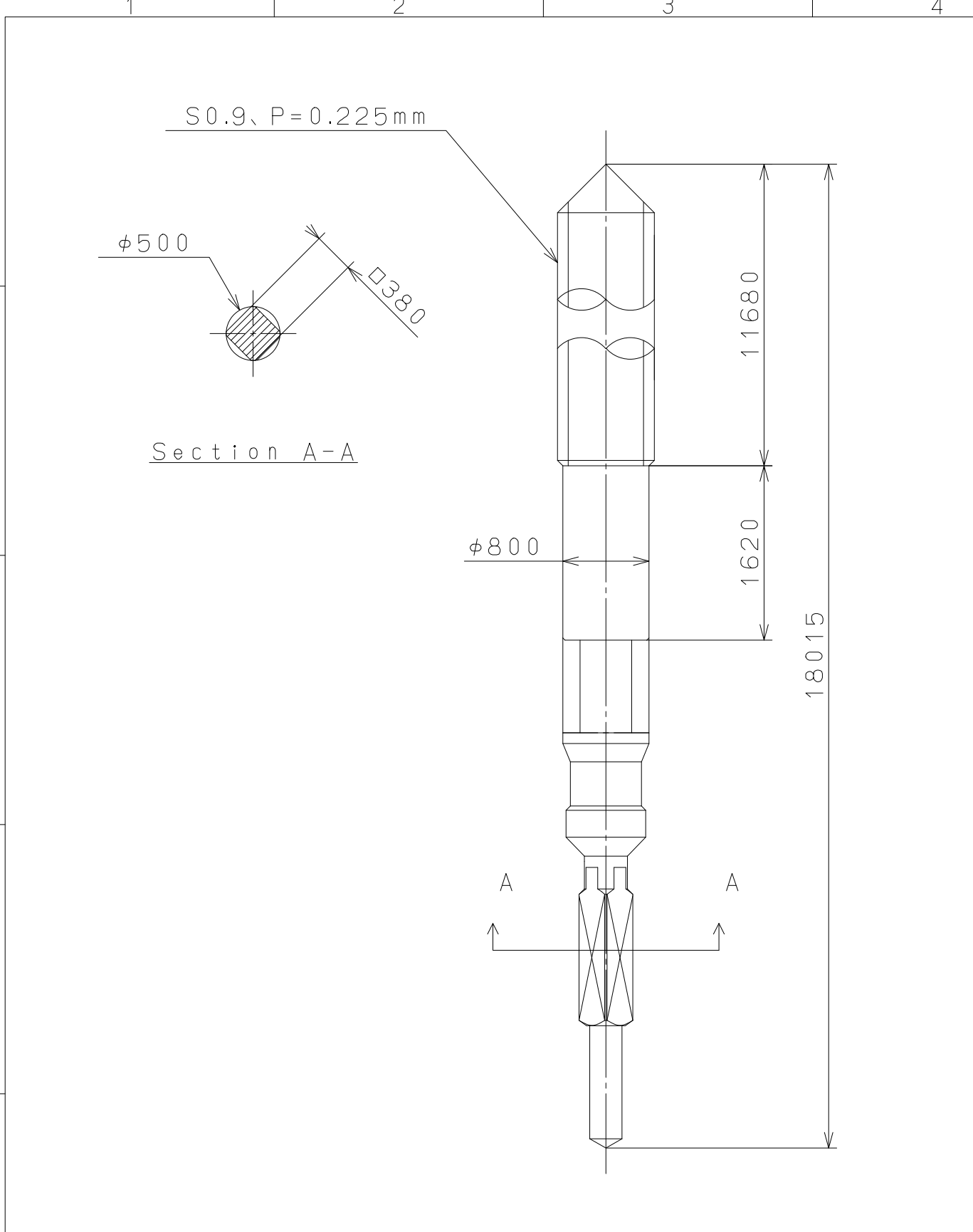
MIYOTA
CITIZEN WATCH CO., LTD. TOKYO, JAPAN

This drawing is provisional and subject to our reconfirmation and/or revision without notice.



△			Quantity		Cal.NO.:
△			Unit	1 / 1000 _{mm}	JS50-00C
△			Scale	5 : 1	Parts No.:
△			Date		
△			Drawn		
Mark	Date	Description	Appr.	Checked	Name:
		Alterations	Approved	D. Yamada	Indications for Dial
Material					Drawing No.: JS5000D0
Heat Treatment			General Tolerances		MIYOTA
Hardness			Dimensions		
Plating			Angles		
					CITIZEN WATCH CO., LTD. TOKYO, JAPAN

This drawing is provisional and subject to our reconfirmation and/or revision without notice.



⑤			Quantity		Cal.NO.:
④			Unit	1 / 1000 mm	
③			Scale	20 : 1	Parts No.:
②			Date		065-505
①			Drawn		
Mark	Date	Description	Appro.	Checked	D. Yamada
Alterations			Approved	Name: SETTING STEM	
Material					Drawing No.: 505000S0
Heat Treatment					MIYOTA CITIZEN WATCH CO., LTD. TOKYO, JAPAN
Hardness					
Plating					