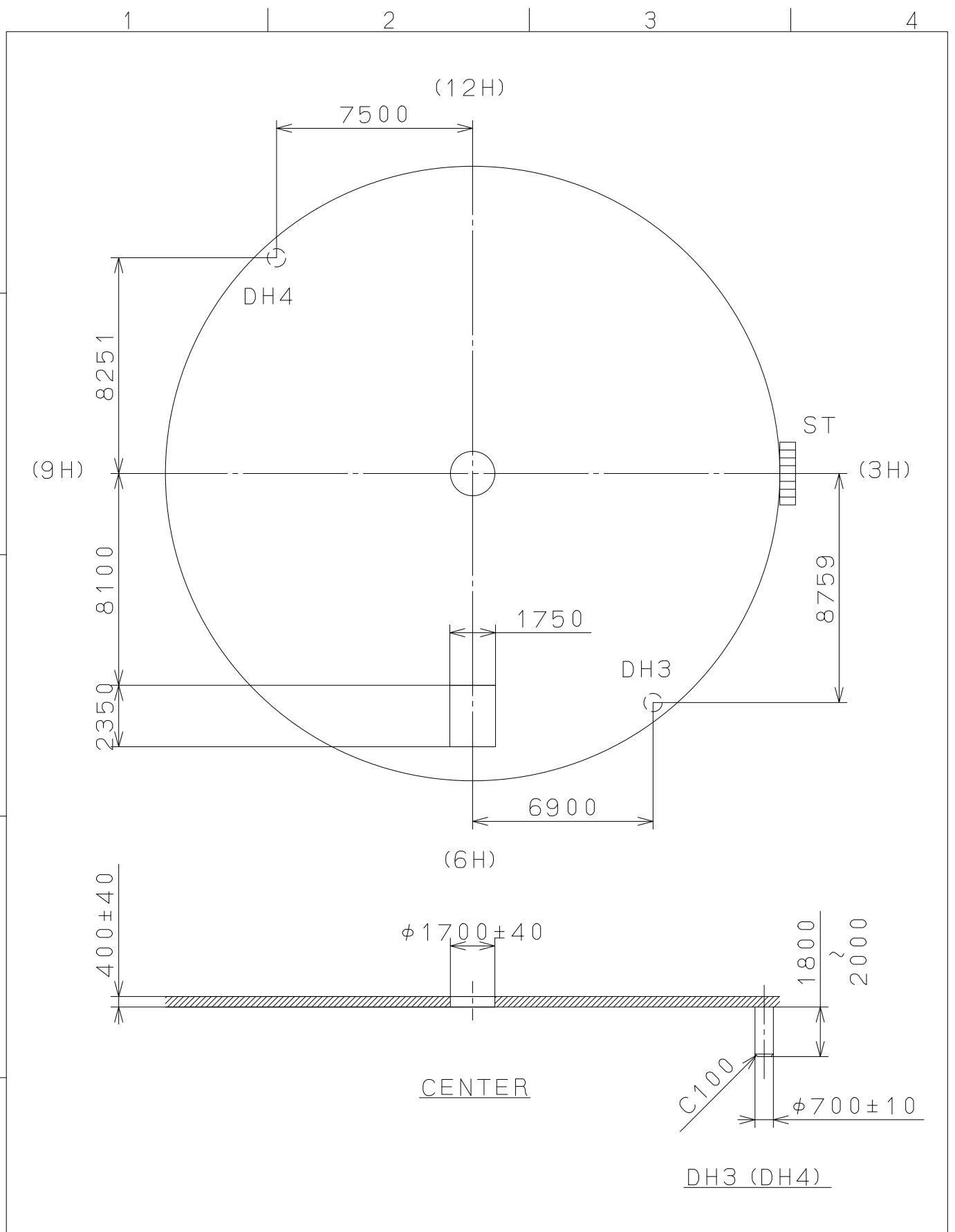
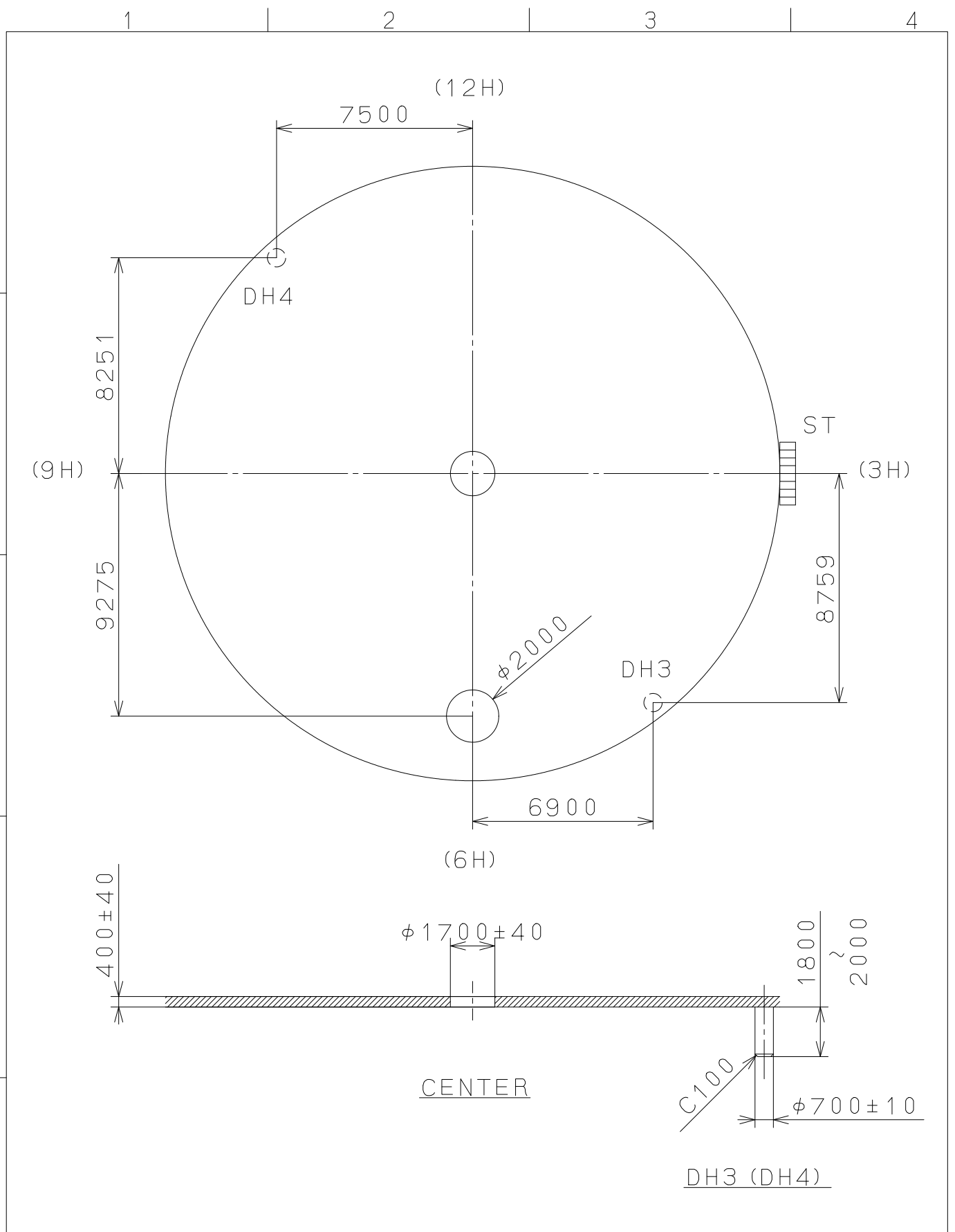


This drawing is provisional and subject to our reconfirmation and/or revision without notice.



|                |      |             |                    |             |                                      |
|----------------|------|-------------|--------------------|-------------|--------------------------------------|
| △              |      |             | Quantity           |             | Cal.NO.:                             |
| △              |      |             | Unit               | 1 / 1000 mm | GM17-10Z                             |
| △              |      |             | Scale              | 5 : 1       | Parts No.:                           |
| △              |      |             | Date               |             |                                      |
| △              |      |             | Drawn              |             |                                      |
| Mark           | Date | Description | Appro.             | Checked     | Name:                                |
|                |      | Alterations | Approved           | D. Yamada   | Indications for Dial                 |
| Material       |      |             |                    |             | Drawing No.: GM1701D0                |
| Heat Treatment |      |             | General Tolerances |             | <b>MIYOTA</b>                        |
| Hardness       |      |             | Dimensions         |             |                                      |
| Plating        |      |             | Angles             |             |                                      |
|                |      |             |                    |             | CITIZEN WATCH CO., LTD. TOKYO, JAPAN |

This drawing is provisional and subject to our reconfirmation and/or revision without notice.



|                |      |             |                    |             |                                      |
|----------------|------|-------------|--------------------|-------------|--------------------------------------|
| △              |      |             | Quantity           |             | Cal.NO.:                             |
| △              |      |             | Unit               | 1 / 1000 mm | GM17-10Z                             |
| △              |      |             | Scale              | 5 : 1       | Parts No.:                           |
| △              |      |             | Date               |             |                                      |
| △              |      |             | Drawn              |             |                                      |
| Mark           | Date | Description | Appro.             | Checked     | Name:                                |
|                |      | Alterations | Approved           | D. Yamada   | Indications for Dial                 |
| Material       |      |             |                    |             | Drawing No.: GM1702D0                |
| Heat Treatment |      |             | General Tolerances |             | <b>MIYOTA</b>                        |
| Hardness       |      |             | Dimensions         |             |                                      |
| Plating        |      |             | Angles             |             |                                      |
|                |      |             |                    |             | CITIZEN WATCH CO., LTD. TOKYO, JAPAN |