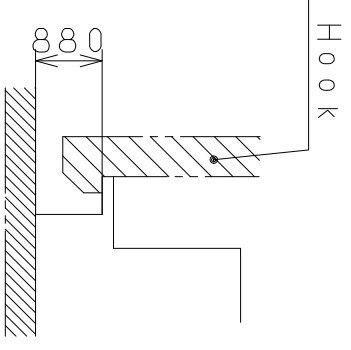
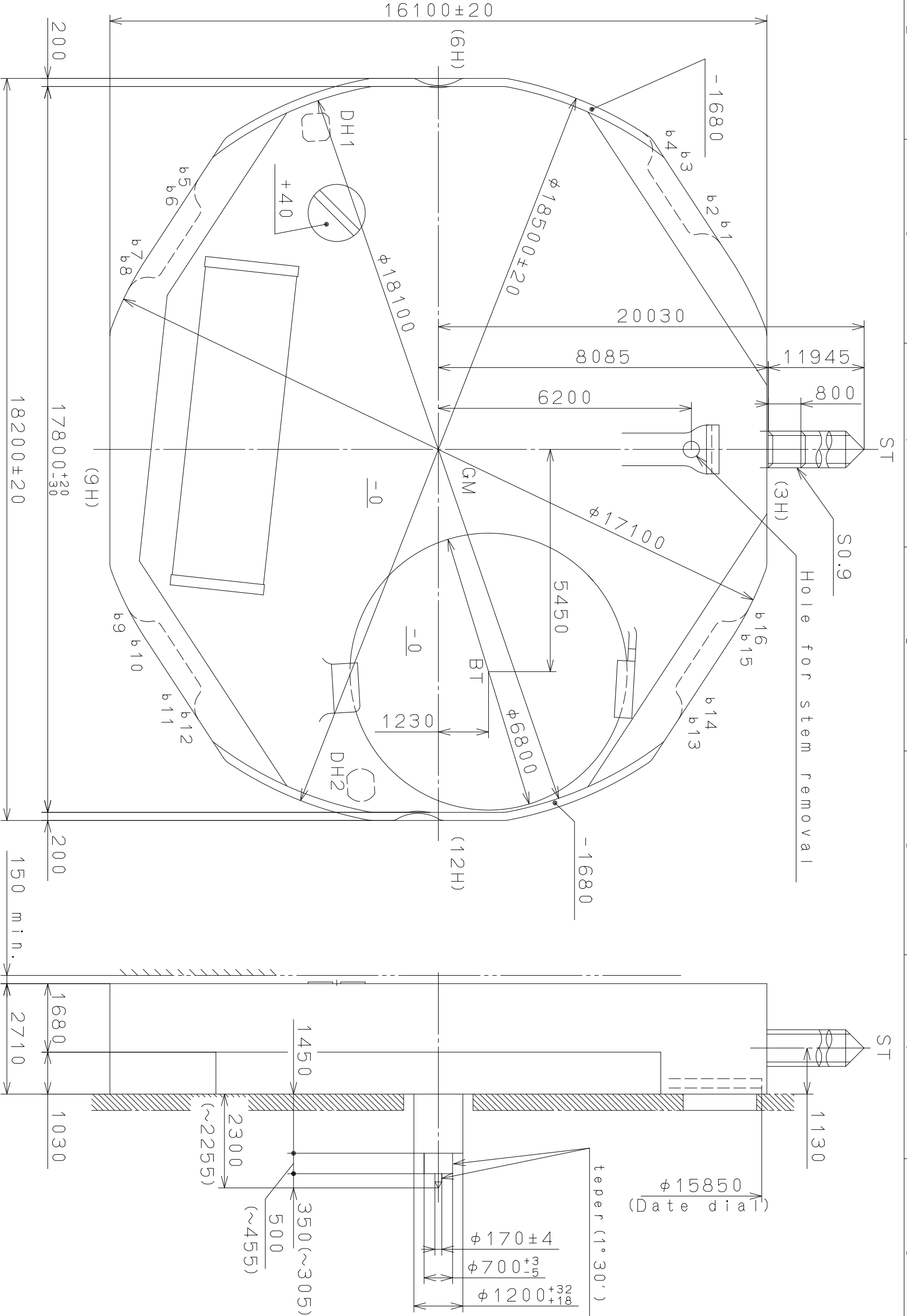


This drawing is provisional and subject to our reconfirmation and/or revision without notice.

Coordinates			
Mark	X	Y	R
GM	0	0	—
DH1	-7900	-3000	—
DH2	8234	-1900	—
b1	-4760	6470	530
b2	-5488	6291	220
b3	-6923	5351	220
b4	-7331	4722	530
b5	-6325	-5444	530
b6	-5871	-6041	220
b7	-4431	-6984	220
b8	-3693	-7119	530
b9	3693	-7119	530
b10	4431	-6984	220
b11	5871	-6041	220
b12	6325	-5444	530
b13	6325	5444	530
b14	5871	6041	220
b15	4431	6984	220
b16	3693	7119	530

DH1~DH2=16171±20



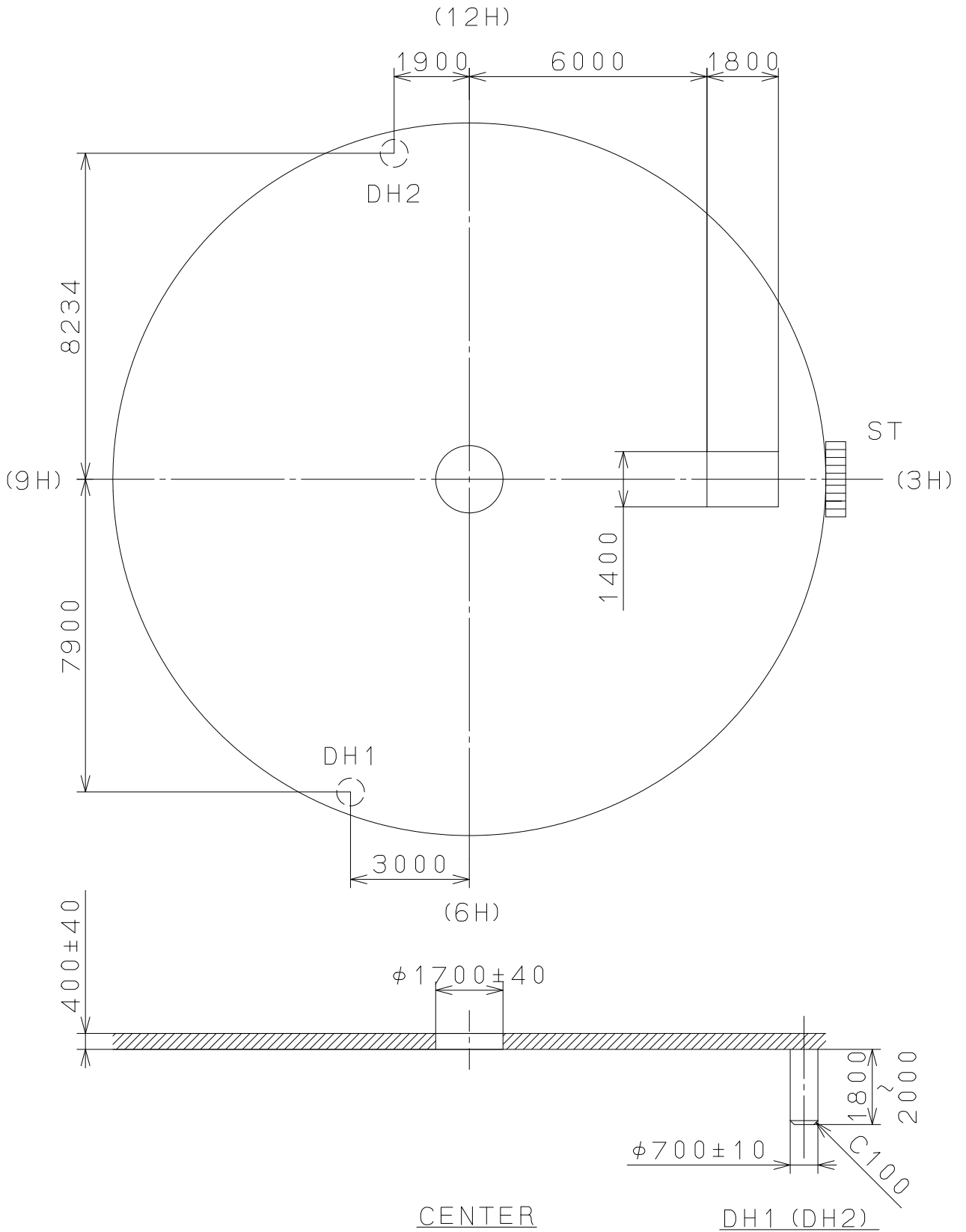
Section b1~b16

Quantity	1/1000 mm	Cal. NO.:	GL14
Unit	Scale	Parts No.:	
Scale	Date	Name:	Frame for Case
Date	Drawn	Drawing No.:	GL1400C1
Checked	Approved		
Material		General Tolerances	
Heat Treatment		Dimensions	
Hardness		Angles	
Plating		CITIZEN WATCH CO., LTD. TOKYO, JAPAN	

MIYOTA

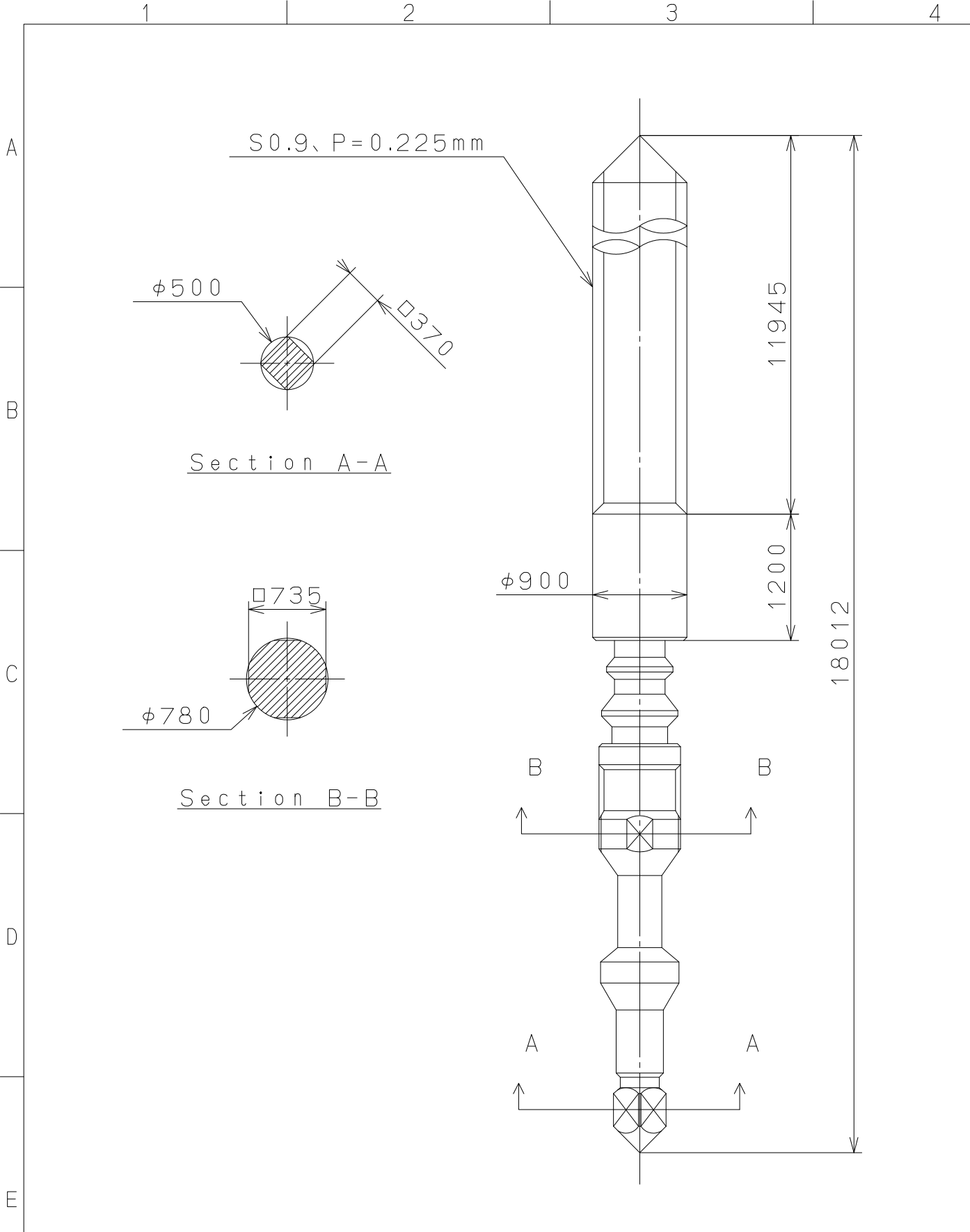
CITIZEN WATCH CO., LTD. TOKYO, JAPAN

This drawing is provisional and subject to our reconfirmation and/or revision without notice.



△			Quantity		Cal.NO.:
△			Unit	1 / 1000 mm	GL14-10A
△			Scale	7 : 1	Parts No.:
△			Date		
△			Drawn		
Mark	Date	Description	Appr.	Checked	Name:
		Alterations		Approved	D. Yamada
Material					Indications for Dial
Heat Treatment					Drawing No.: GL1400D0
Hardness				General Tolerances	MIYOTA
Plating				Dimensions	
				Angles	CITIZEN WATCH CO., LTD. TOKYO, JAPAN

This drawing is provisional and subject to our reconfirmation and/or revision without notice.



△			Quantity		Cal.NO.:
△			Unit	1 / 1000 mm	
△			Scale	20 : 1	Parts No.:
△			Date		065-547
△			Drawn		
Mark	Date	Description	Appr.	Checked	Name:
		Alterations	Approved	D. Yamada	SETTING STEM
Material					Drawing No.: 547000S1
Heat Treatment			General Tolerances	MIYOTA CITIZEN WATCH CO., LTD. TOKYO, JAPAN	
Hardness			Dimensions		
Plating			Angles		