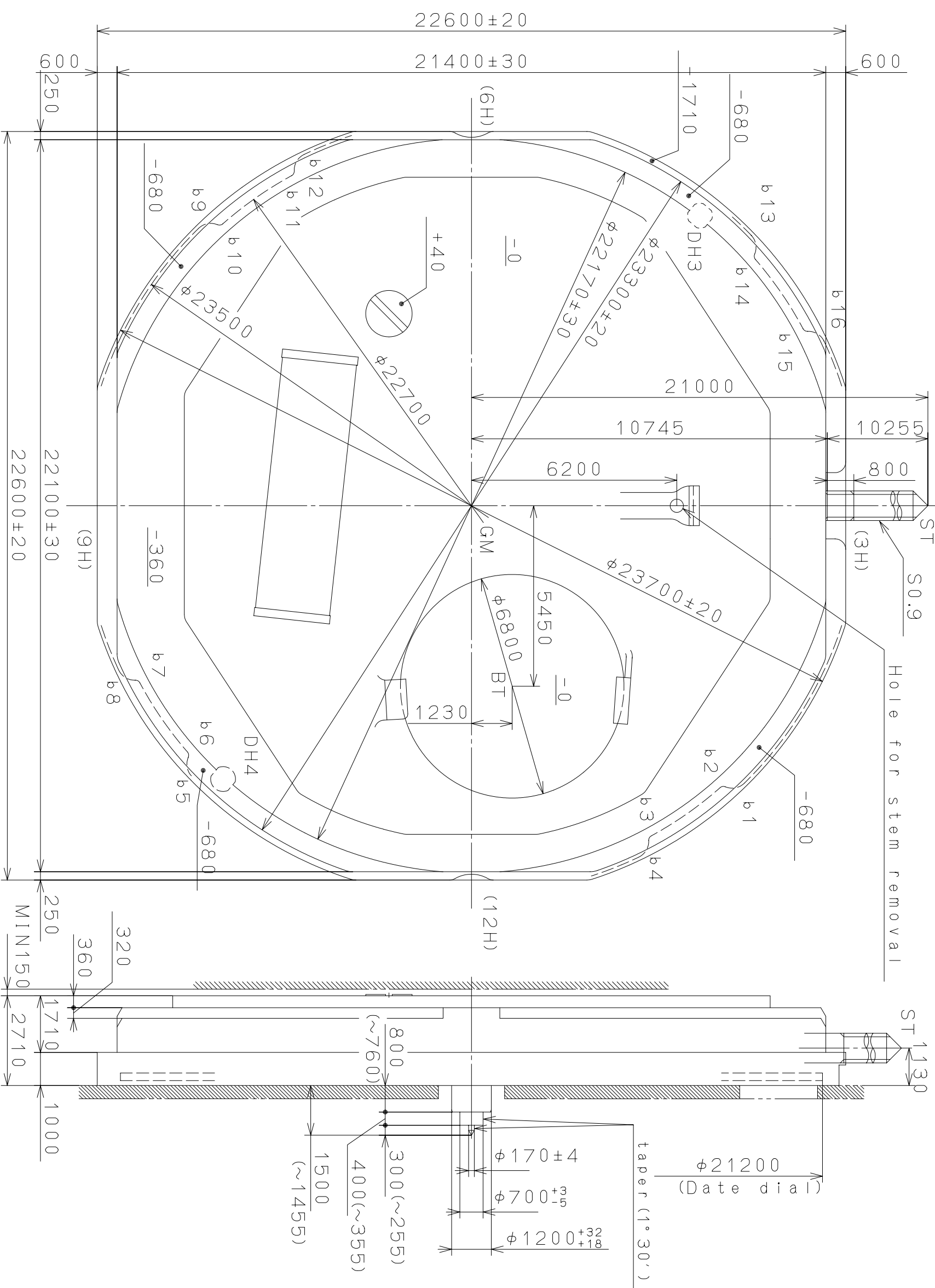
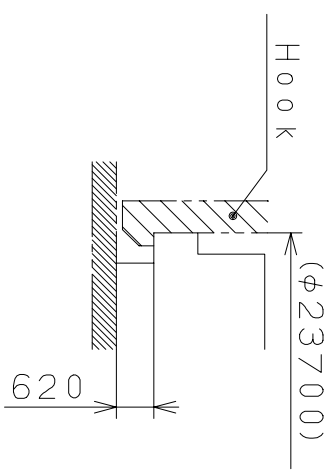


This drawing is provisional and subject to our reconfirmation and/or revision without notice.

DH3~DH4=222287 (±20)

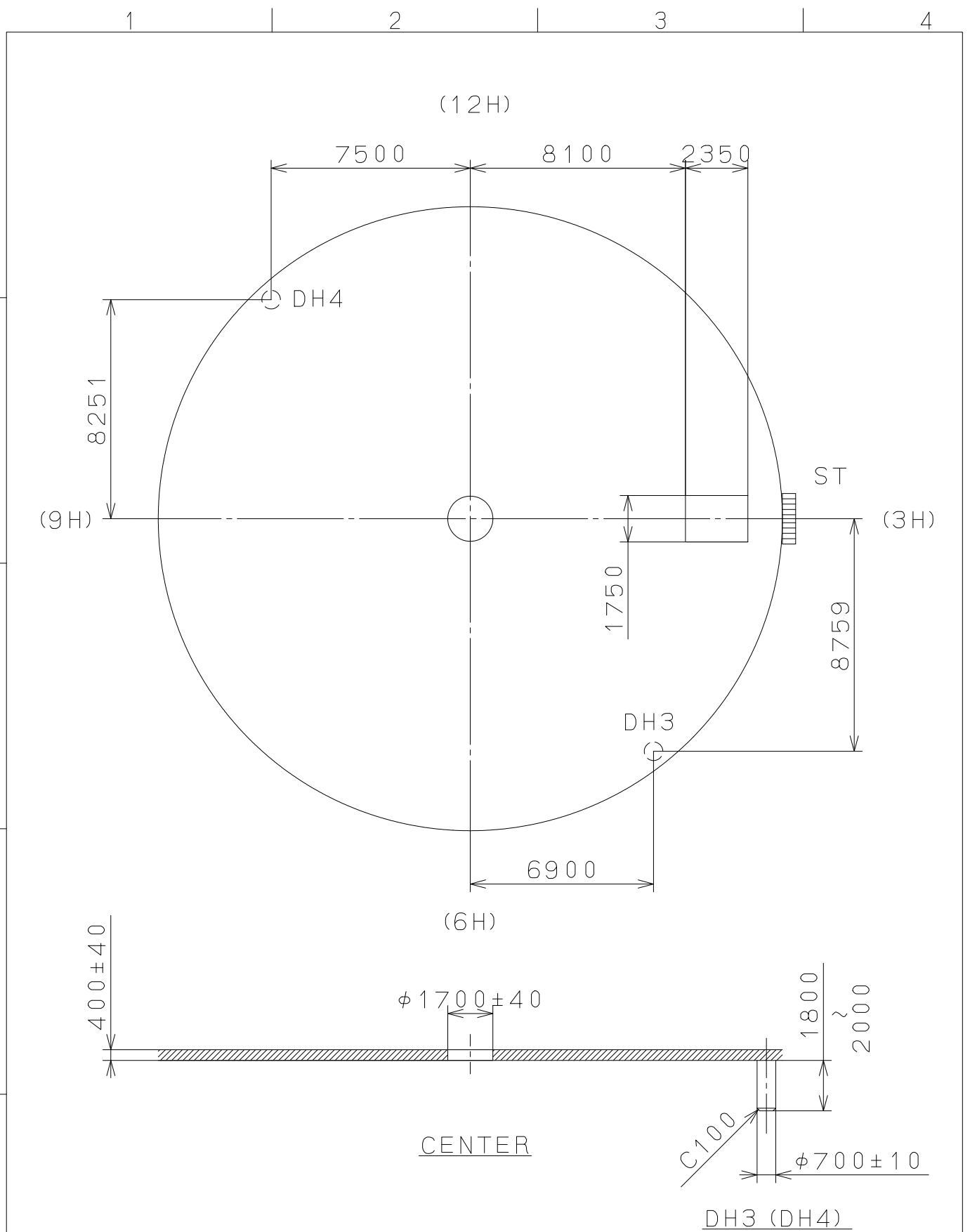
Coordinates			
記号	X	Y	R
GM	0	0	—
DH3	-8759	6900	—
DH4	8251	-7500	—
b1	7996	7871	530
b2	8624	7608	150
b3	10099	5501	150
b4	10131	4822	530
b5	7803	-8063	530
b6	7535	-8688	150
b7	5416	-10145	150
b8	4736	-10171	530
b9	-7996	-7871	530
b10	-8624	-7608	150
b11	-10099	-5501	150
b12	-10131	-4822	530
b13	-7803	8063	530
b14	-7535	8688	150
b15	-5416	10145	150
b16	-4736	10171	530



Section b1~b16

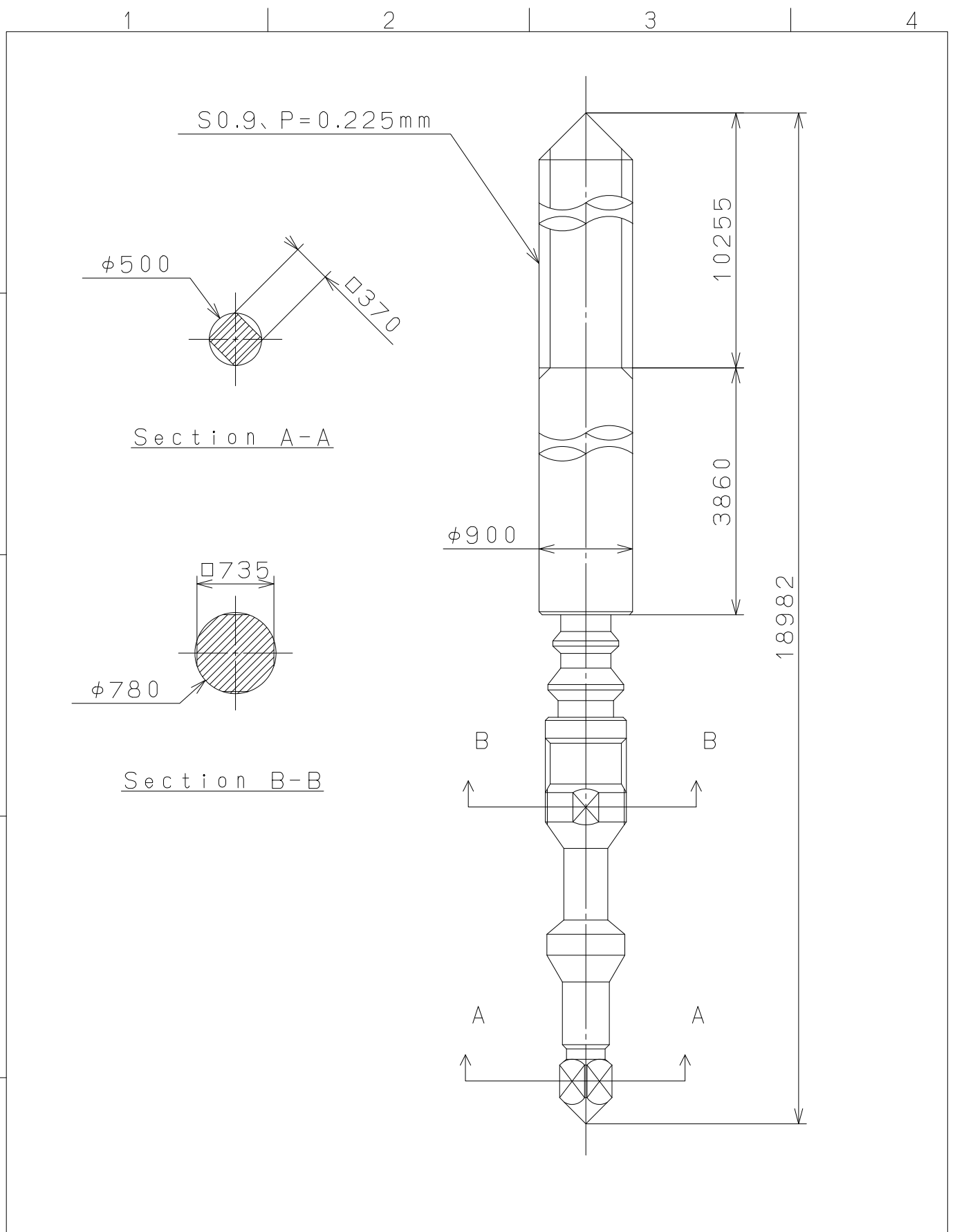
Quantity	1	Unit	mm	Cal. No.:	GM10
Scale	8/1	Parts No.:			
Date		Name			
Mark	Date	Description	Appr.	Checked	M. Fukuda
Material	Alterations	Approved			Frame for Case
Heat Treatment					Drawings No.: GM10C001
Hardness					
Plating					

This drawing is provisional and subject to our reconfirmation and/or revision without notice.



△5			Quantity		Cal.NO.:
△4			Unit	1 / 1000 mm	GM10-S0A
△3			Scale	5 : 1	Parts No.:
△2			Date		
△1			Drawn		
Mark	Date	Description	Appr.	Checked	M. Kobayashi
Alterations			Approved	Name:	
Material					Drawing No.: GM10D001
Heat Treatment					<b>MIYOTA</b> CITIZEN WATCH CO., LTD. TOKYO, JAPAN
Hardness					
Plating					

This drawing is provisional and subject to our reconfirmation and/or revision without notice.



△			Quantity		Cal.NO.:
△			Unit	1 / 1000 mm	
△			Scale	20 : 1	Parts No.:
△			Date		065-543
△			Drawn		
Mark	Date	Description	Appr.	Checked	Name:
		Alterations	Approved	D. Yamada	SETTING STEM
Material					Drawing No.: 5430S002
Heat Treatment			General Tolerances		
Hardness			Dimensions		
Plating			Angles		
				CITIZEN WATCH CO., LTD. TOKYO, JAPAN	