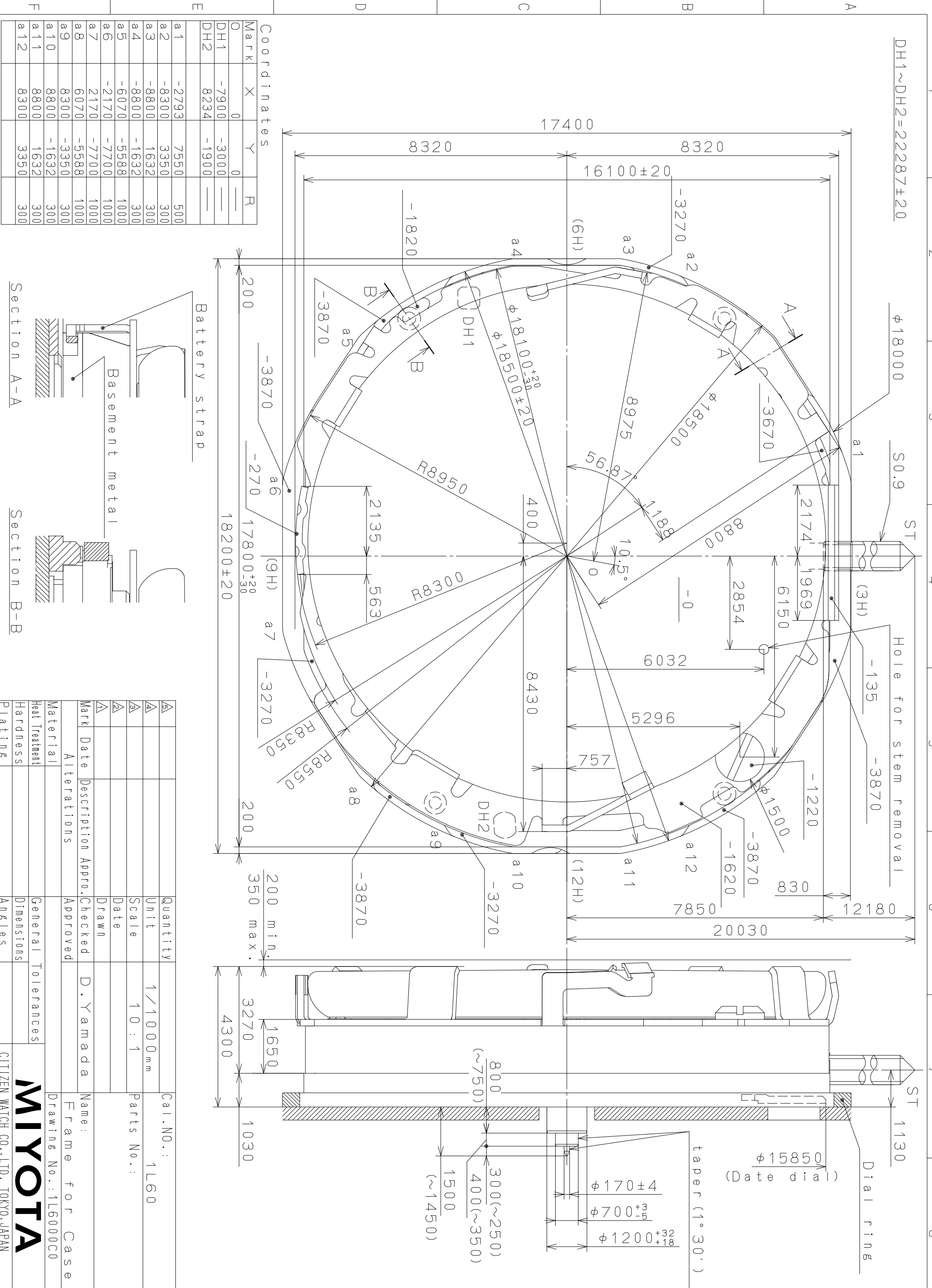
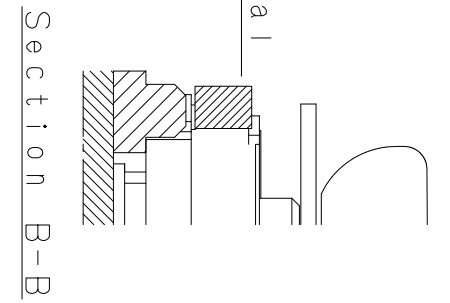
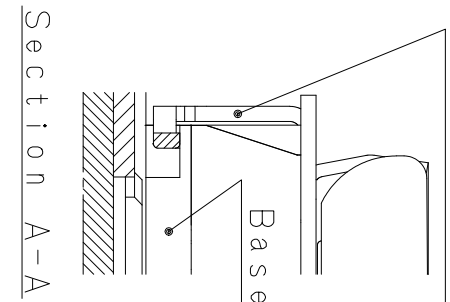


This drawing is provisional and subject to our reconfirmation and/or revision without notice.



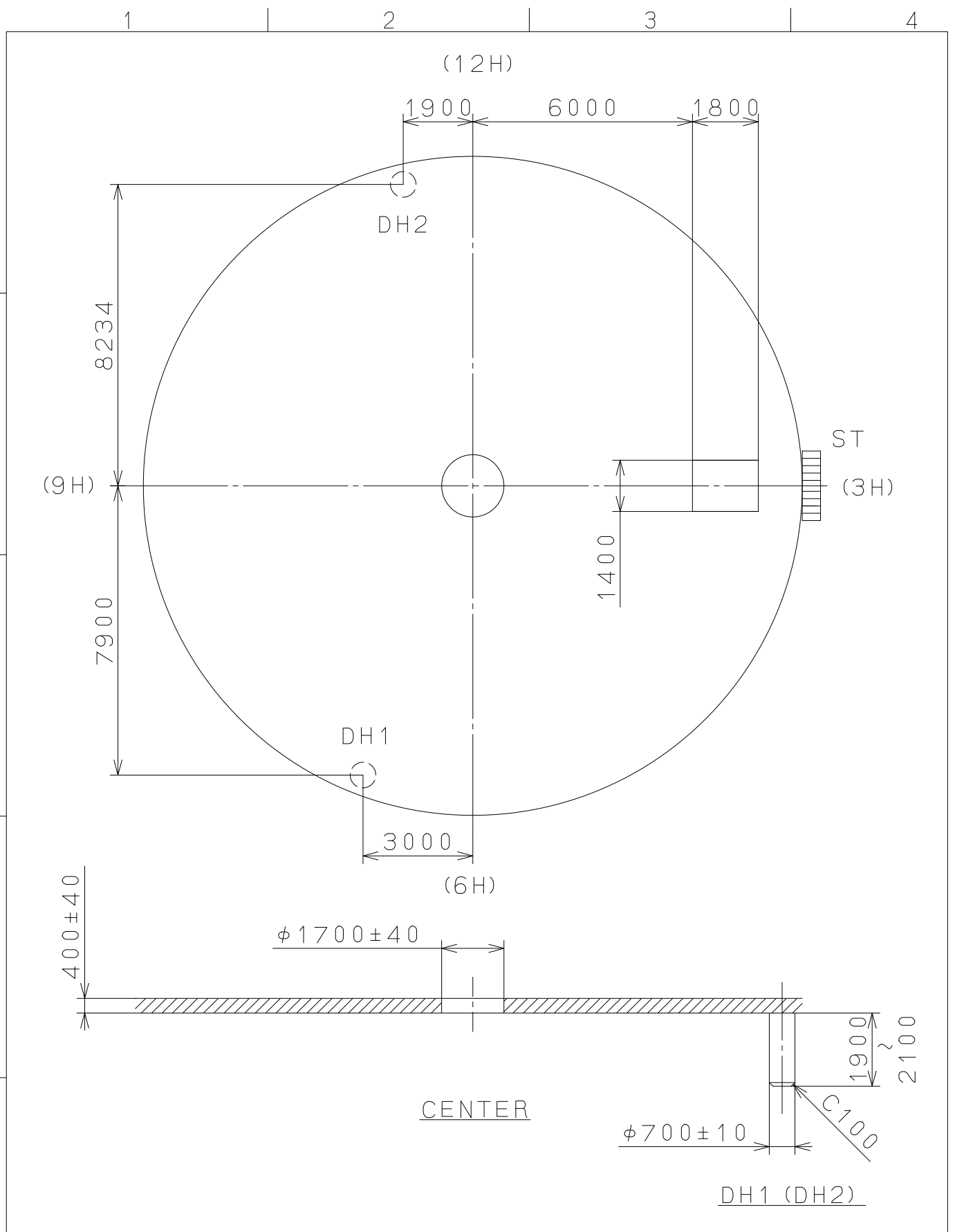
Coordinates			
Mark	X	Y	R
O	0	0	—
DH1	-7900	-3000	—
DH2	8234	-1900	—
a1	-2793	7550	500
a2	-8300	3350	300
a3	-8800	1632	300
a4	-8800	-1632	300
a5	-6070	-5588	1000
a6	-2170	-7700	1000
a7	2170	-7700	1000
a8	6070	-5588	1000
a9	8300	-3350	300
a10	8800	-1632	300
a11	8800	1632	300
a12	8300	3350	300



Mark	Date	Description	Appro.	Checked	Drawn	Quantity	Unit	Cal. NO.:
△						200 min.	1/1000 mm	1L60
△						350 max.	Scale 10:1	Parts No.:
△							Date	
△							Drawn	
Alterations				Approved	D. Yamada	Name: Frame for Case		
Material				Drawing No.: 1L6000C0				
Heat Treatment				General Tolerances				
Hardness				Dimensions				
Plating				Angles				

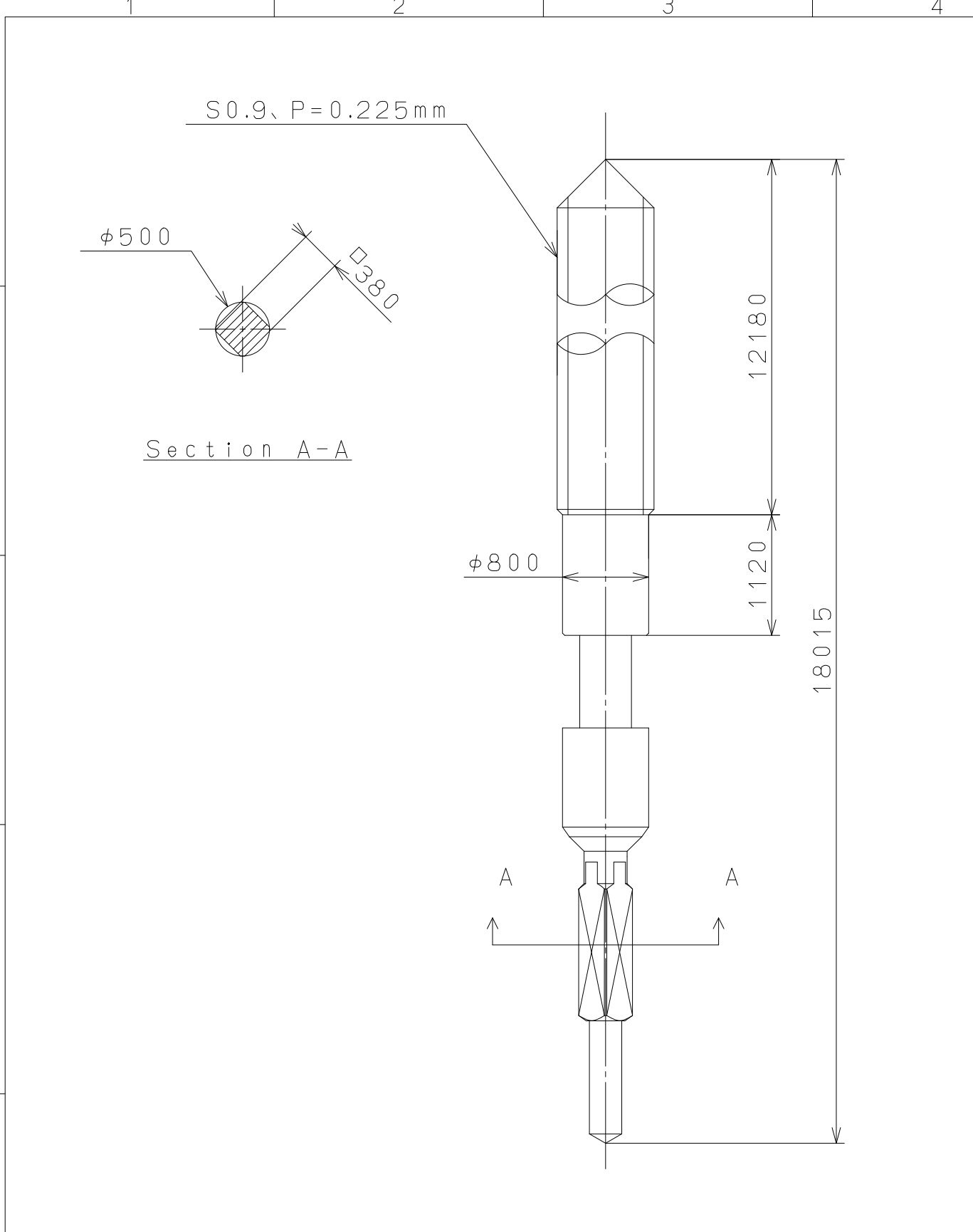
**MIYOTA**  
CITIZEN WATCH CO., LTD. TOKYO, JAPAN

This drawing is provisional and subject to our reconfirmation and/or revision without notice.



△			Quantity		Cal.NO.:
△			Unit	1 / 1000 mm	1L60-00A
△			Scale	7 : 1	Parts No.:
△			Date		
△			Drawn		
Mark	Date	Description	Appr.	Checked	Name:
		Alterations	Approved	D. Yamada	Indications for Dial
Material					Drawing No.: 1L6000D0
Heat Treatment			General Tolerances		<b>MIYOTA</b>
Hardness			Dimensions		
Plating			Angles		
					CITIZEN WATCH CO., LTD. TOKYO, JAPAN

This drawing is provisional and subject to our reconfirmation and/or revision without notice.



△			Quantity		Cal.NO.:
△			Unit	1/1000mm	
△			Scale	20:1	Parts No.:
△			Date		065-477
△			Drawn		
Mark	Date	Description	Appr.	Checked	D.Yamada
Alterations			Approved	Name: SETTING STEM	
Material					Drawing No.: 477000S0
Heat Treatment					<b>MIYOTA</b> CITIZEN WATCH CO., LTD. TOKYO, JAPAN
Hardness					
Plating					