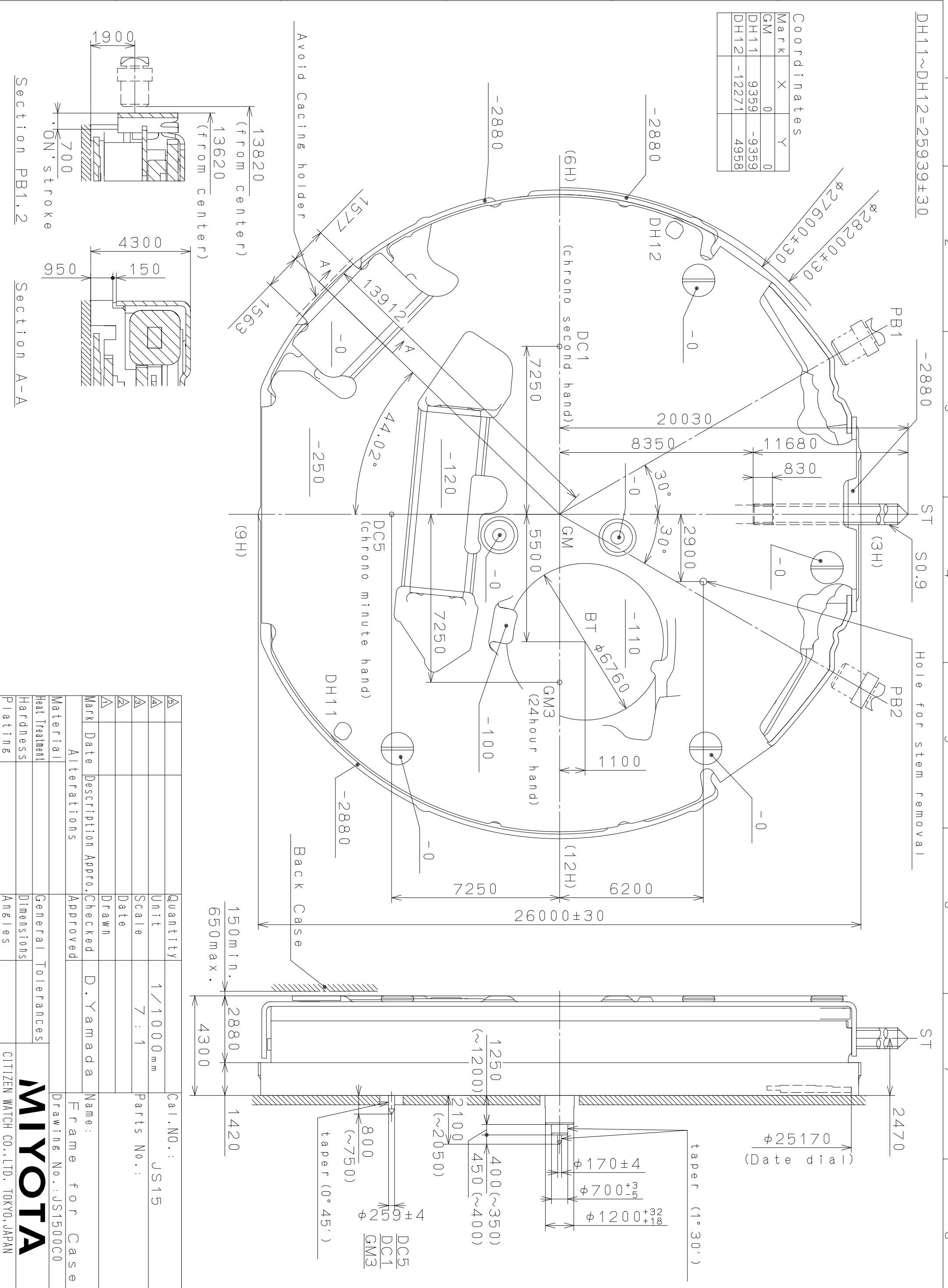


This drawing is provisional and subject to our reconfirmation and/or revision without notice.



Coordinates

Mark	X	Y
GM	0	0
DH11	9359	-9359
DH12	-12271	4958

Section PB1,2

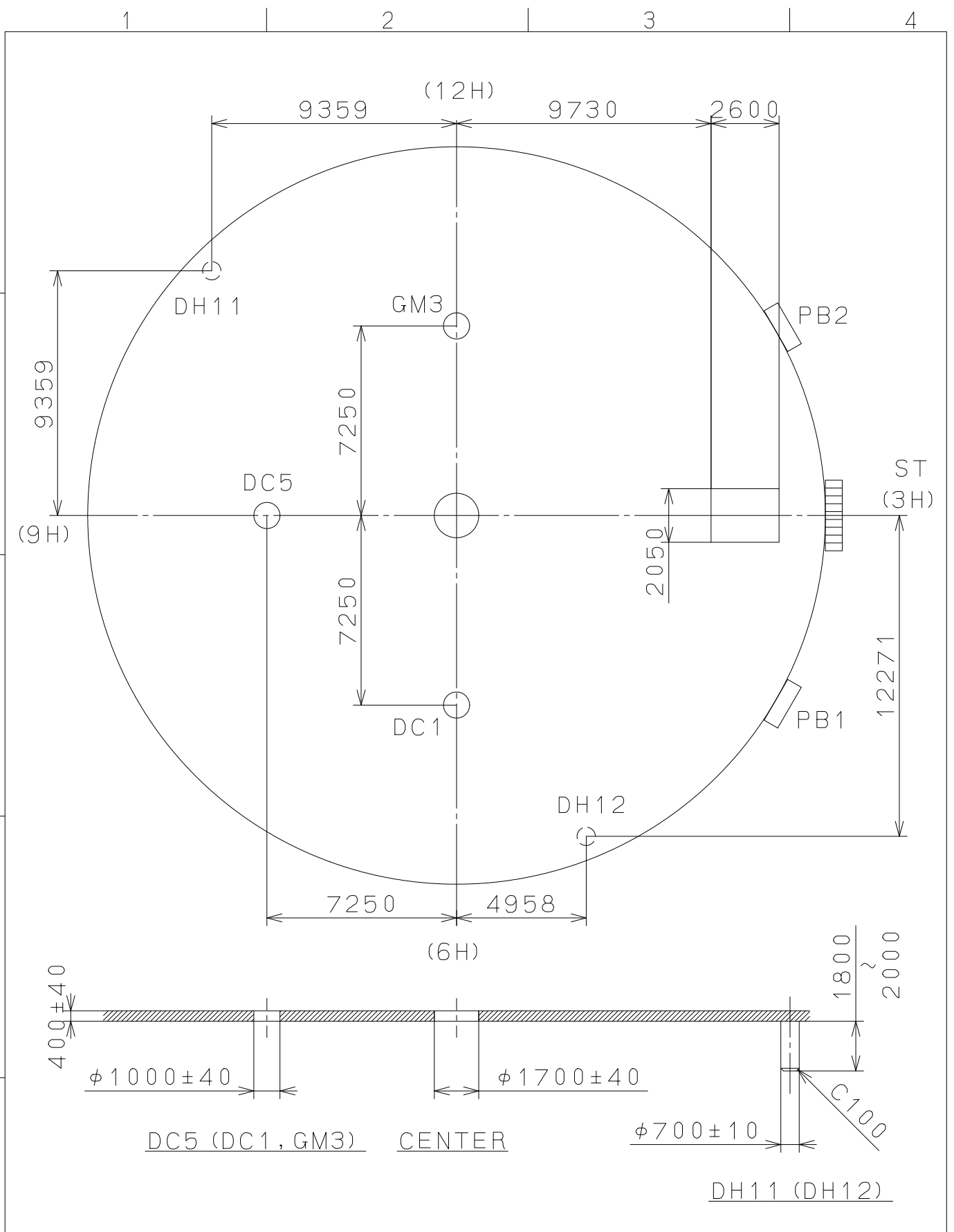
Section A-A

Material	Alterations	Quantity	Unit	Cal. NO.:
Heat Treatment	Date	1	1/1000 mm	JS15
Hardness	Description	Scale	7 : 1	Parts No.:
Plating	Appro.	Checked	Drawn	Name:
	Approved	D. Yamada		Frame for Case
				Drawing No.: JS1500C0
				General Tolerances
				Dimensions
				Angles

MIYOTA
CITIZEN WATCH CO., LTD. TOKYO, JAPAN

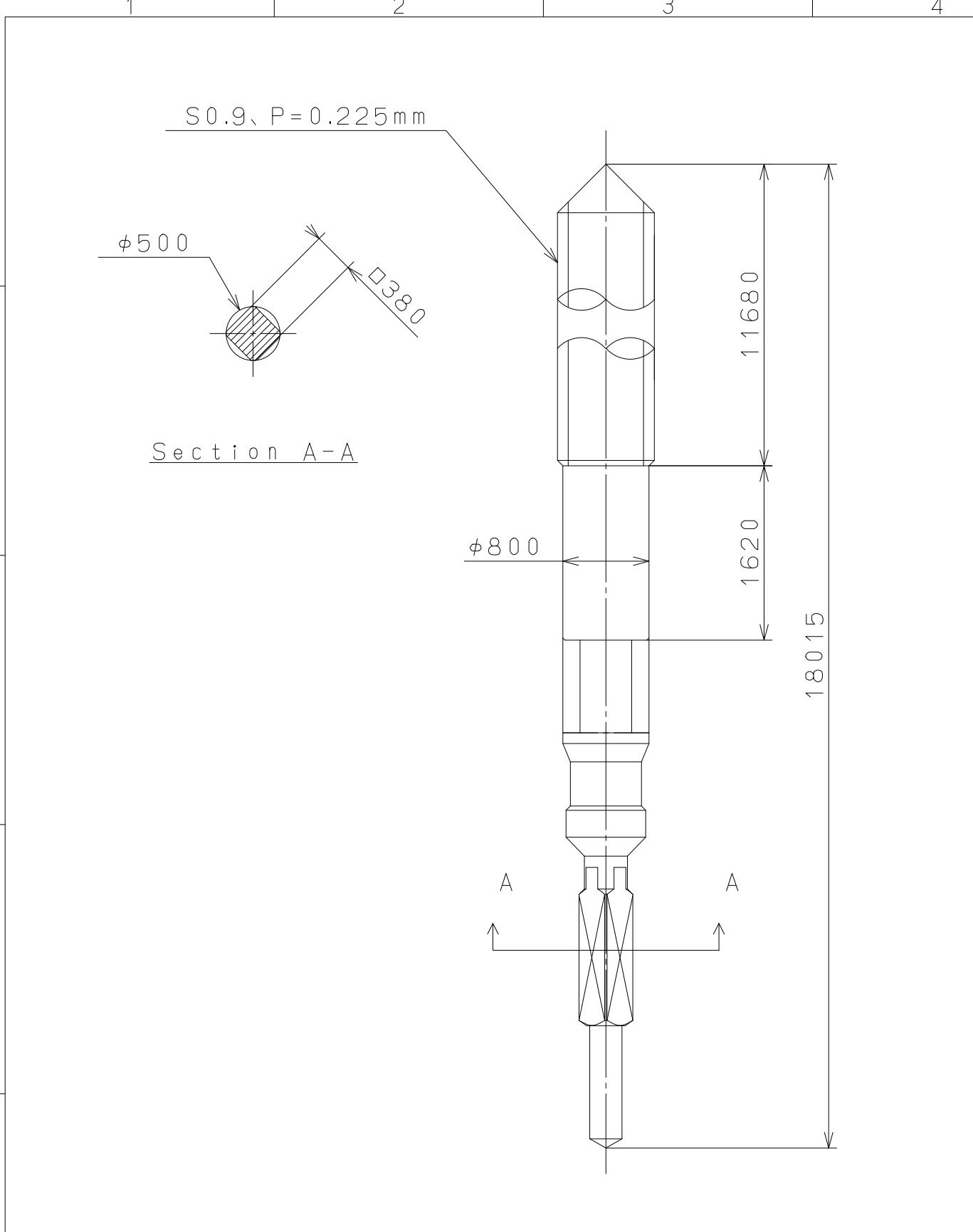
CONFIDENTIAL 2023/03/28 (14:06:00)

This drawing is provisional and subject to our reconfirmation and/or revision without notice.



△			Quantity		Cal.NO.:
△			Unit	1 / 1000 mm	JS15-00C
△			Scale	5 : 1	Parts No.:
△			Date		
△			Drawn		
Mark	Date	Description	Appr.	Checked	Name:
		Alterations	Approved	D. Yamada	Indications for Dial
Material					Drawing No.: JS1500D0
Heat Treatment			General Tolerances	<div style="text-align: center;"> <h1>MIYOTA</h1> <p>CITIZEN WATCH CO., LTD. TOKYO, JAPAN</p> </div>	
Hardness			Dimensions		
Plating			Angles		

This drawing is provisional and subject to our reconfirmation and/or revision without notice.



⑤			Quantity		Cal.NO.:
④			Unit	1 / 1000 mm	
③			Scale	20 : 1	Parts No.:
②			Date		065-505
①			Drawn		
Mark	Date	Description	Appro.	Checked	D. Yamada
Alterations			Approved	Name: SETTING STEM	
Material					Drawing No.: 505000S0
Heat Treatment					MIYOTA
Hardness					
Plating					
					CITIZEN WATCH CO., LTD. TOKYO, JAPAN