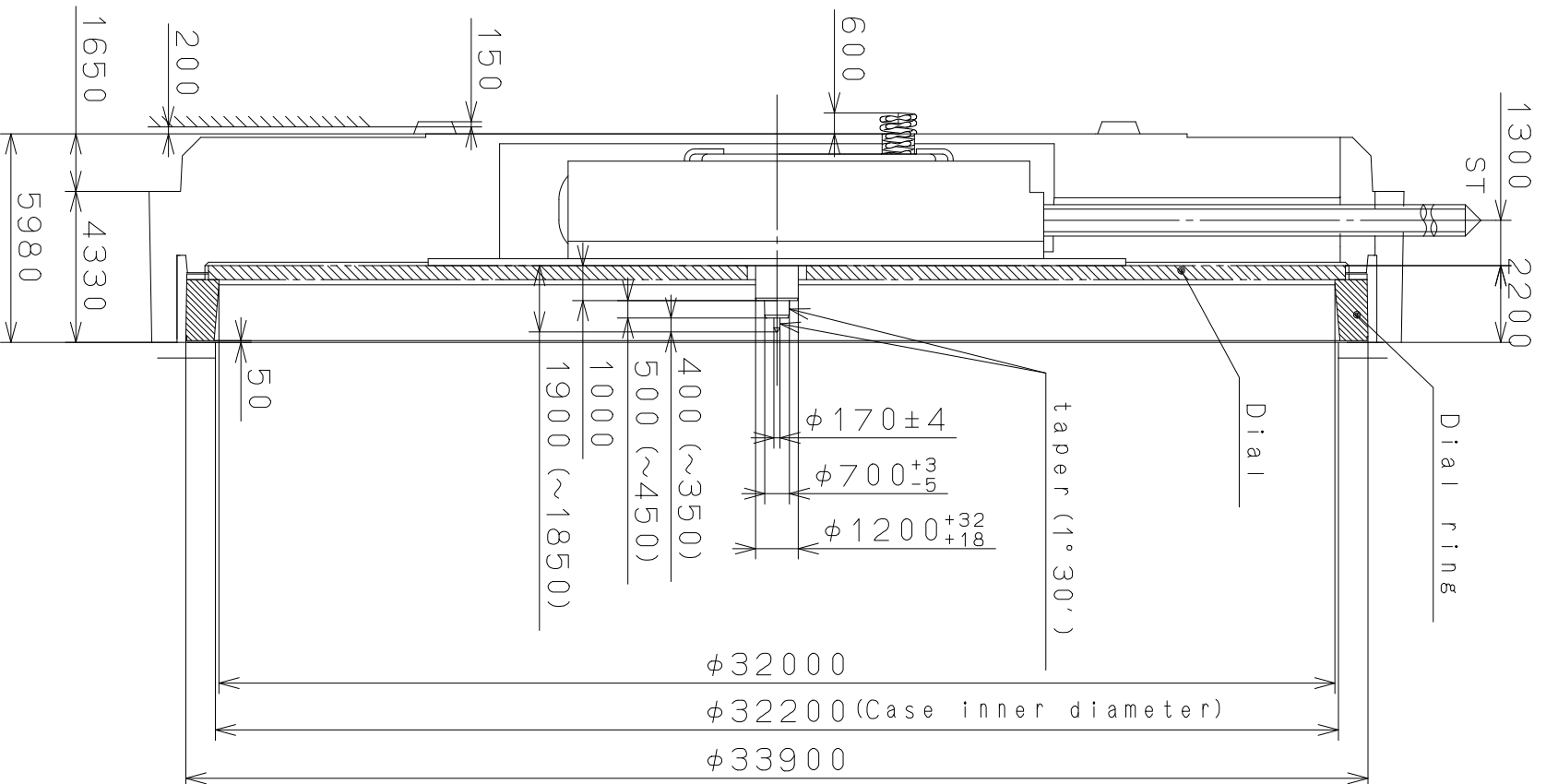
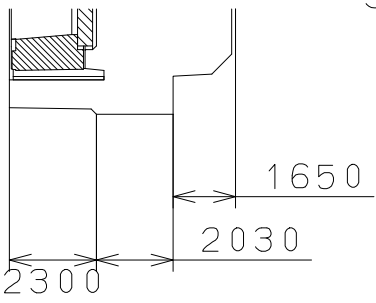


Coordinates

Mark	X	Y
DH1	-7900	-3000
DH2	8234	-1900
DH3	11900	1600
DH4	-9000	-8000
W10	-10200	-4800
W11	11000	-2550
H14	-380	3480

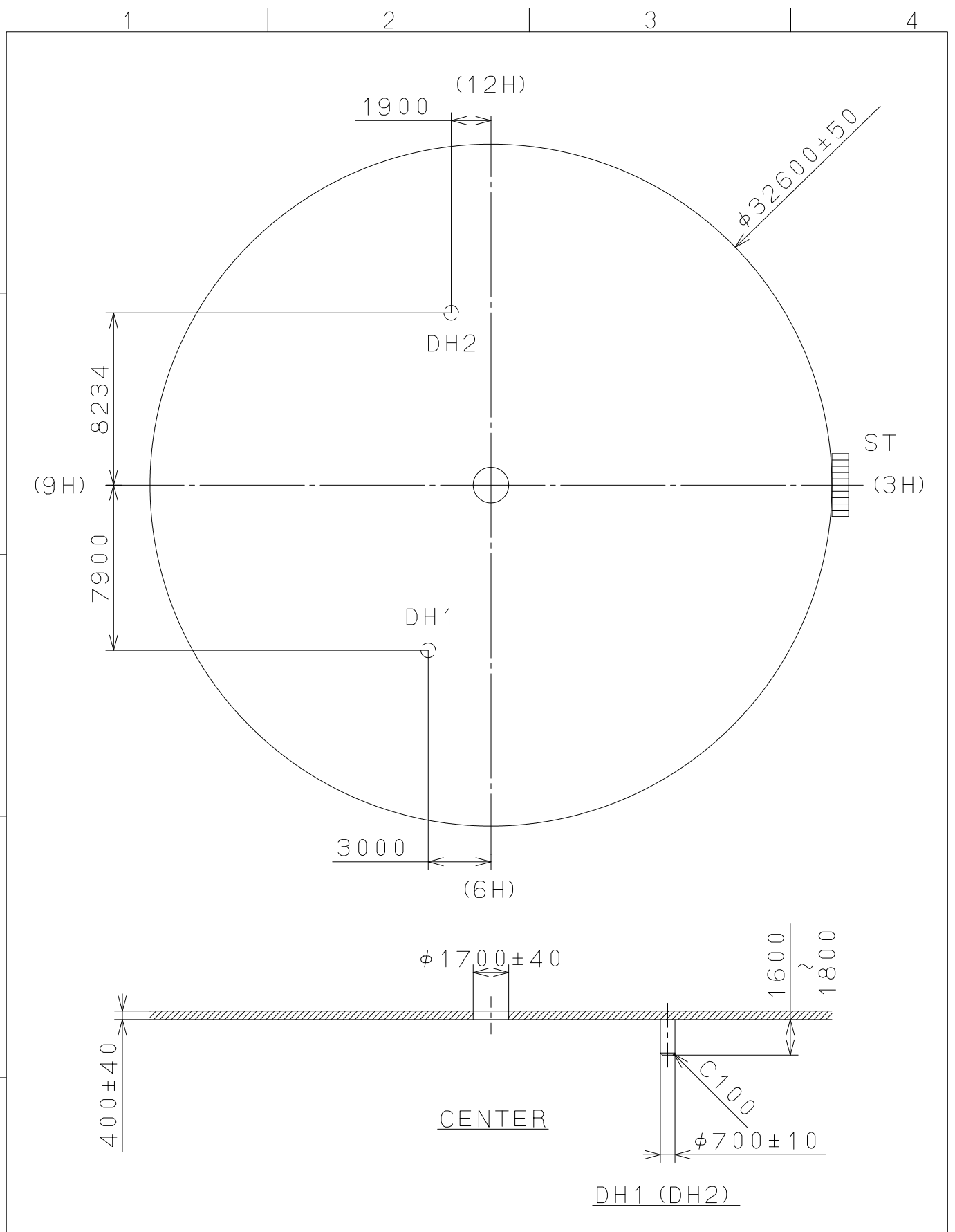


Material	Alterations	Date	Description	Appro.	Checked	Drawn	Quantity	Unit	Cal. NO.:
Material							1	1/1000 mm	2170
Heat Treatment									
Hardness									
Plating									
General Tolerances							Parts No.:		
Dimensions							Date		
Angles							Drawn		
							Checked		
							Approved		
							D. Yamada		
							Name:		
							Frame for Case		
							Drawing No.: 217000C0		

MIYOTA

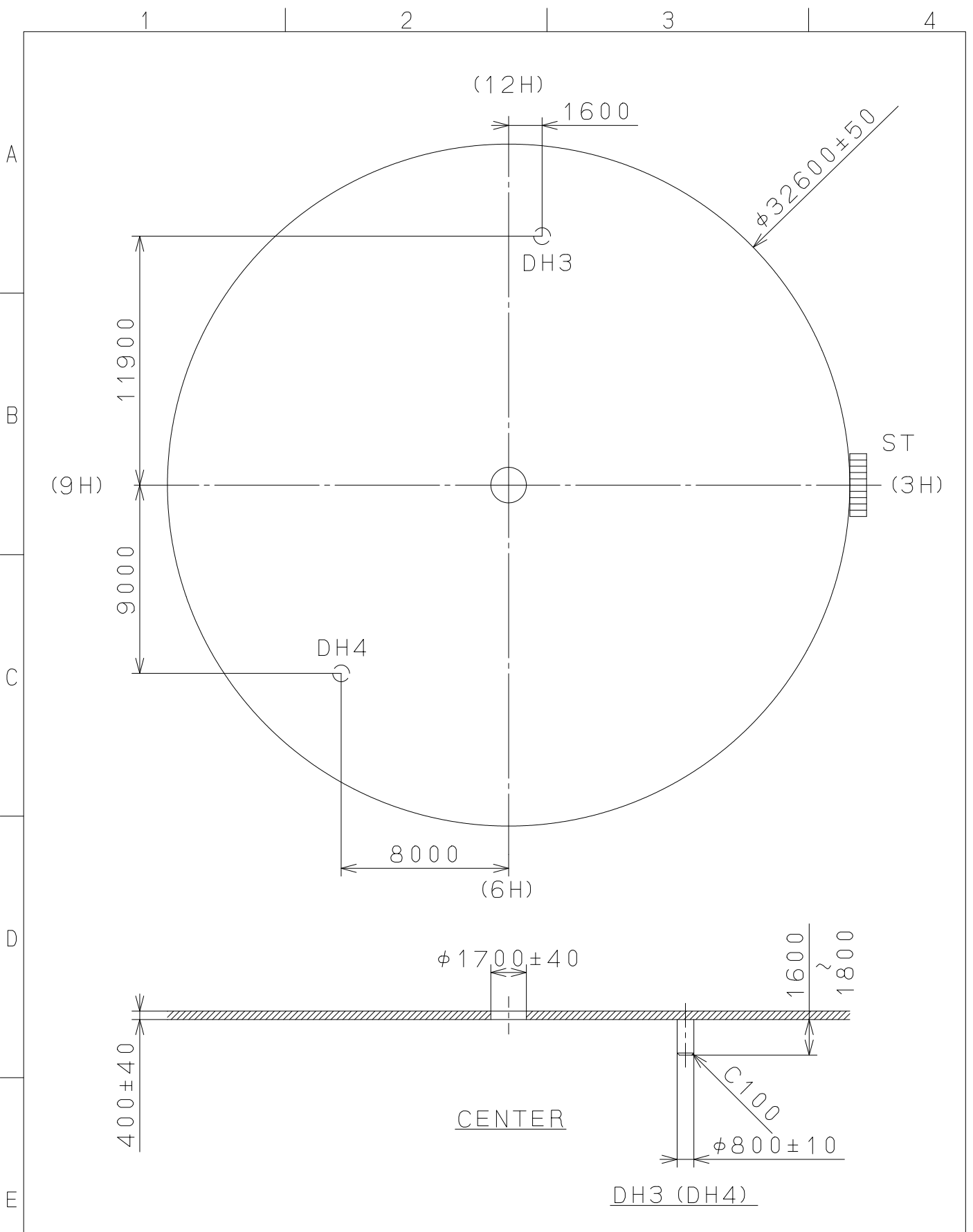
CITIZEN WATCH CO., LTD. TOKYO, JAPAN

This drawing is provisional and subject to our reconfirmation and/or revision without notice.



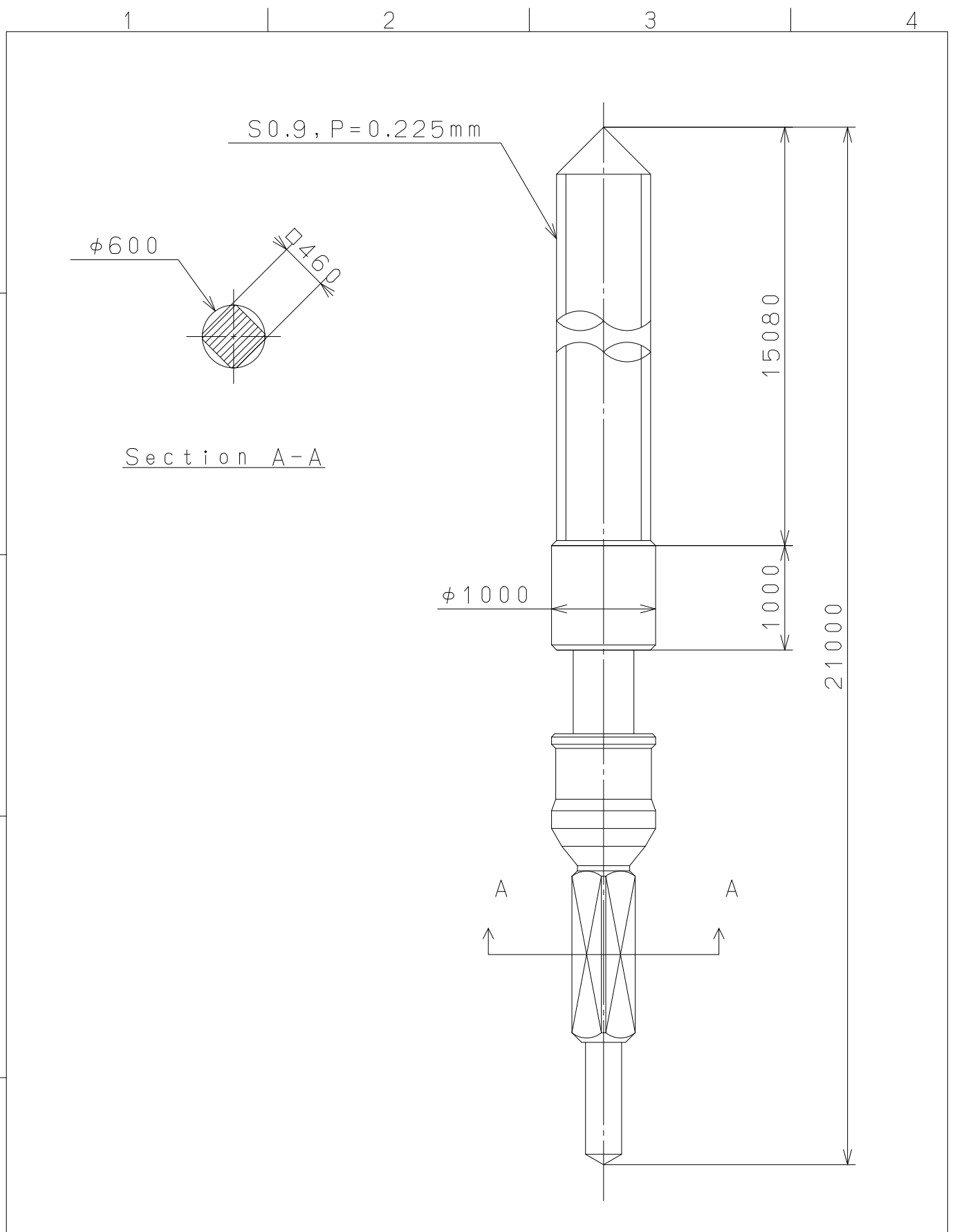
△			Quantity		Cal. NO.:
△			Unit	1 / 1000 mm	2170-00A
△			Scale	4 : 1	Parts No.:
△			Date		
△			Drawn		
Mark	Date	Description	Appr.	Checked	Name:
		Alterations		Approved	D. Yamada
Material					Indications for Dial
Heat Treatment					Drawing No.: 217000D0
Hardness					MIYOTA
Plating					

This drawing is provisional and subject to our reconfirmation and/or revision without notice.

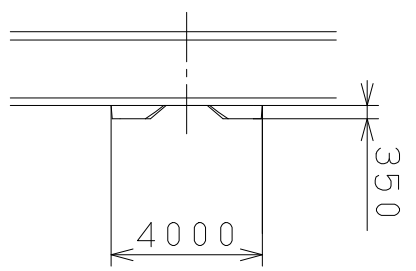
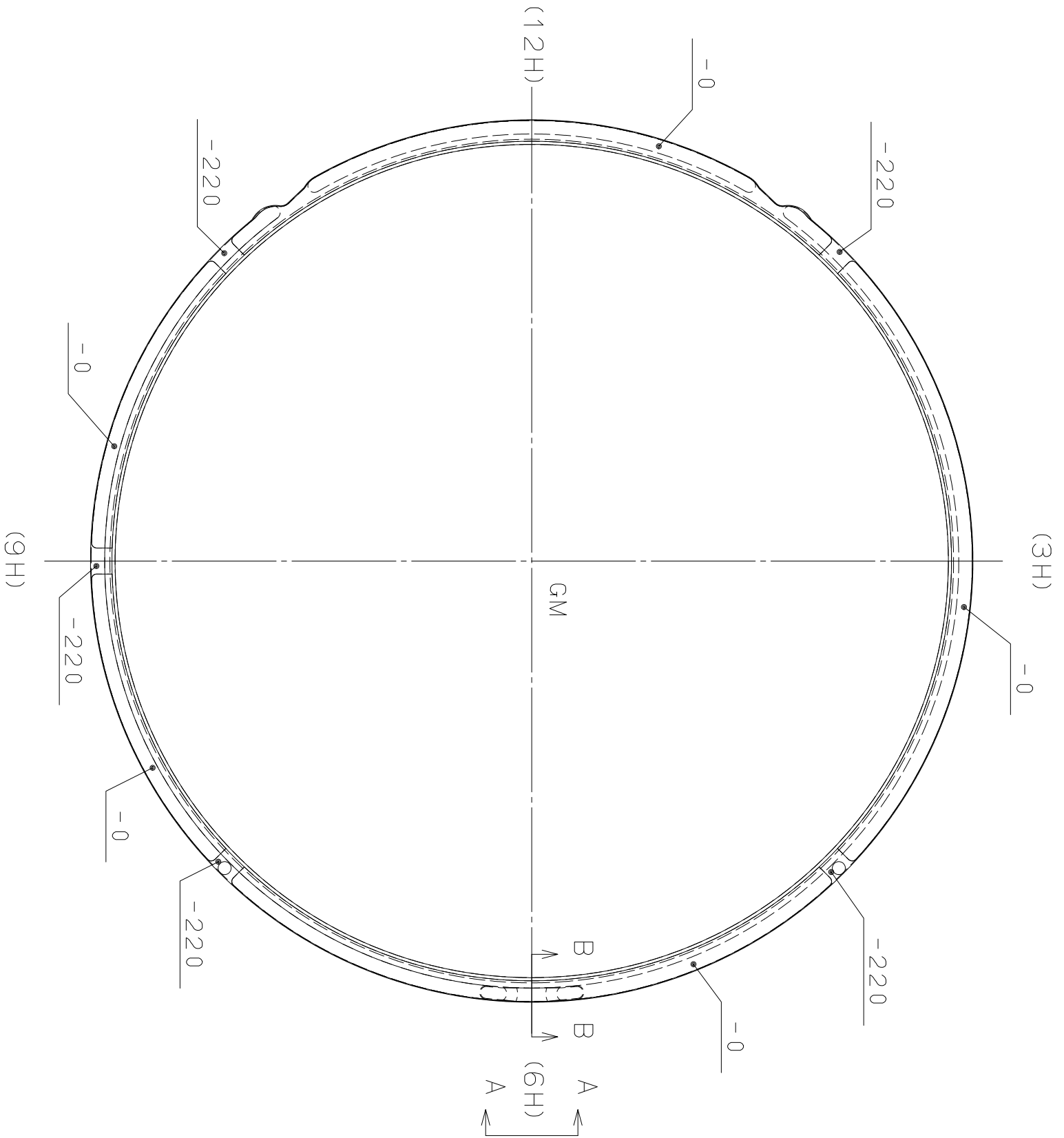


△			Quantity		Cal.NO.:
△			Unit	1 / 1000 mm	2170-00A
△			Scale	4 : 1	Parts No.:
△			Date		
△			Drawn		
Mark	Date	Description	Appr.	Checked	Name:
		Alterations		Approved	D. Yamada
Material					Indications for Dial
Heat Treatment					Drawing No.: 217001D0
Hardness					MIYOTA
Plating					

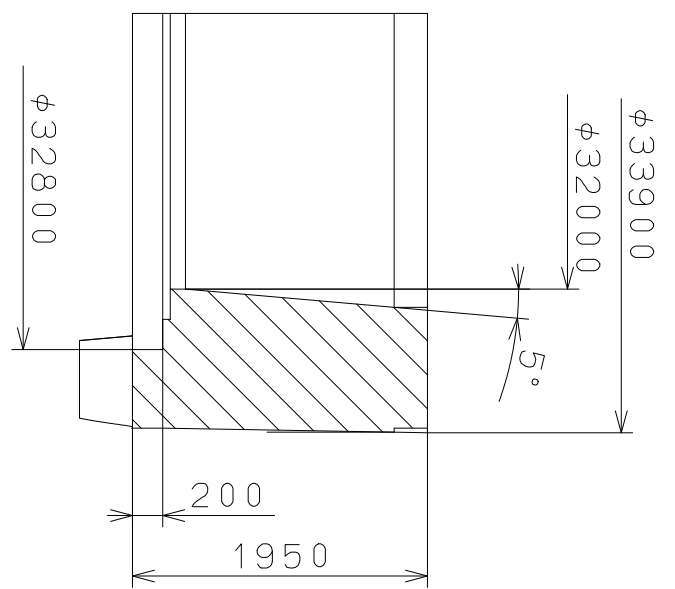
This drawing is provisional and subject to our reconfirmation and/or revision without notice.



△5			Quantity		Cal.NO.:
△4			Unit	1 / 1000 mm	
△3			Scale	20 : 1	Parts No.:
△2			Date		065-371
△1			Drawn		
Mark	Date	Description	Appro.	Checked	D. Yamada
Alterations			Approved	Name:	
			SETTING STEM		
Material					Drawing No.: 371000C0
Heat Treatment					MIYOTA CITIZEN WATCH CO., LTD. TOKYO, JAPAN
Hardness					
Plating					



View A-A



Section B-B (20:1)

Quantity	1/1000 mm	Cal. NO.:	2170
Unit	5 : 1	Parts No.:	110-725
Scale	Date	Name:	Dial trim ring
Date	Drawn		
Mark	Date	Checked	D. Yamada
Alterations	Approved		
Material	General Tolerances		
Heat Treatment	Dimensions		
Hardness	Angles		
Plating			

MIYOTA
CITIZEN WATCH CO., LTD. TOKYO, JAPAN

A B C D E F

1 2 3 4 5 6 7 8