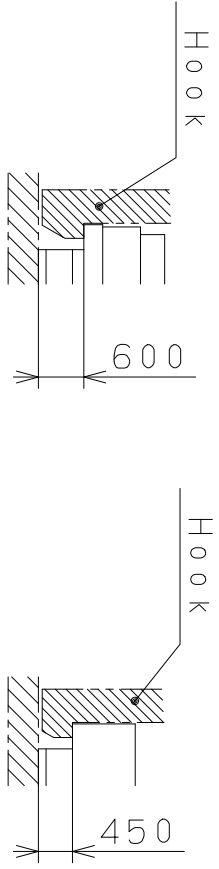
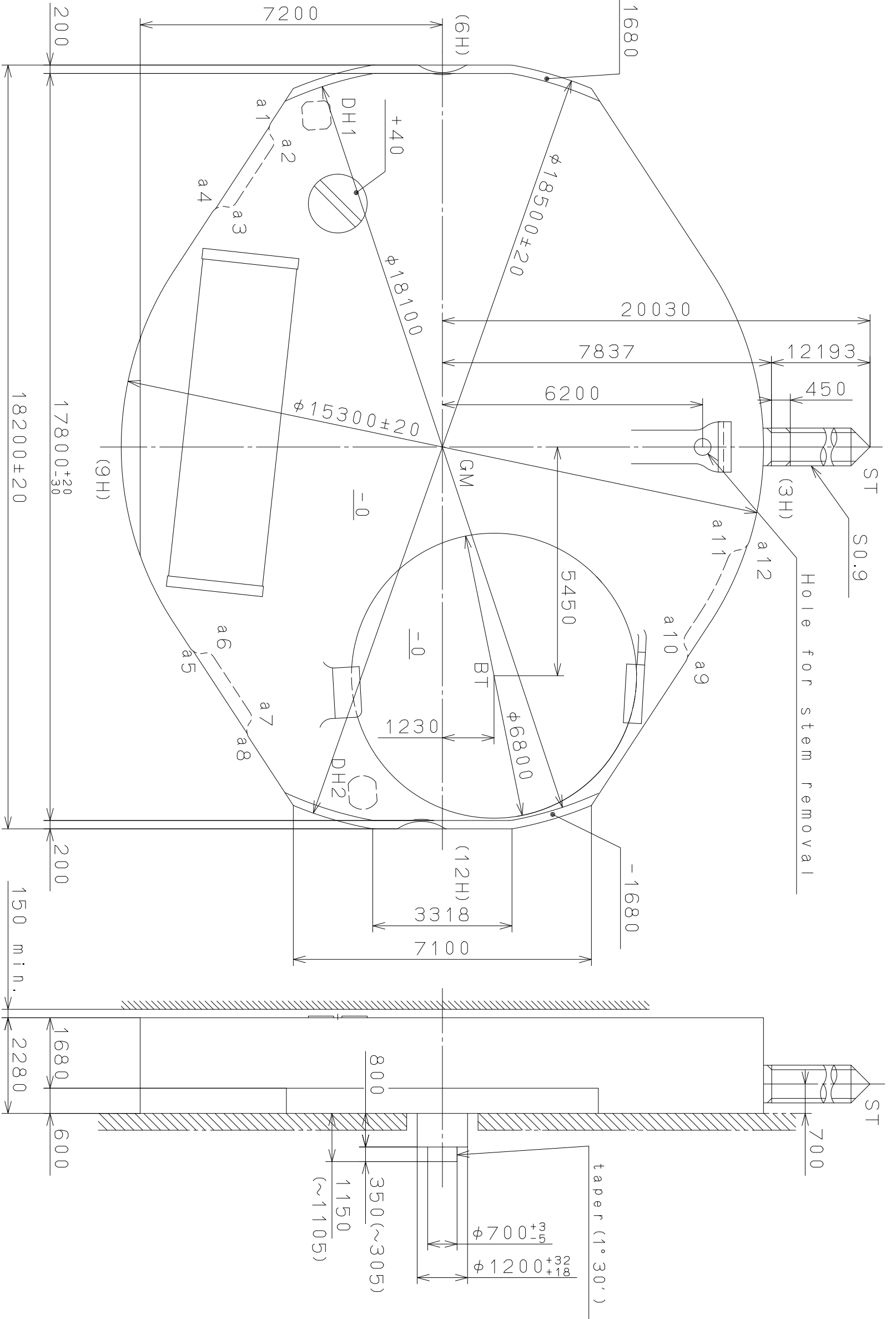


This drawing is provisional and subject to our reconfirmation and/or revision without notice.

DH1~DH2=16171 (±20)

Coordinates

Mark	X	Y	R
GM	0	0	—
DH1	-7900	-3000	—
DH2	8234	-1900	—
a1	-7569	-3828	300
a2	-7252	-4215	200
a3	-5914	-5092	200
a4	-5433	-5228	300
a5	4625	-5757	300
a6	5106	-5621	200
a7	6444	-4745	200
a8	6761	-4358	300
a9	4947	5546	300
a10	4628	6054	300
a11	2754	7083	300
a12	2157	7026	300



Section a1~a4, a5~a8

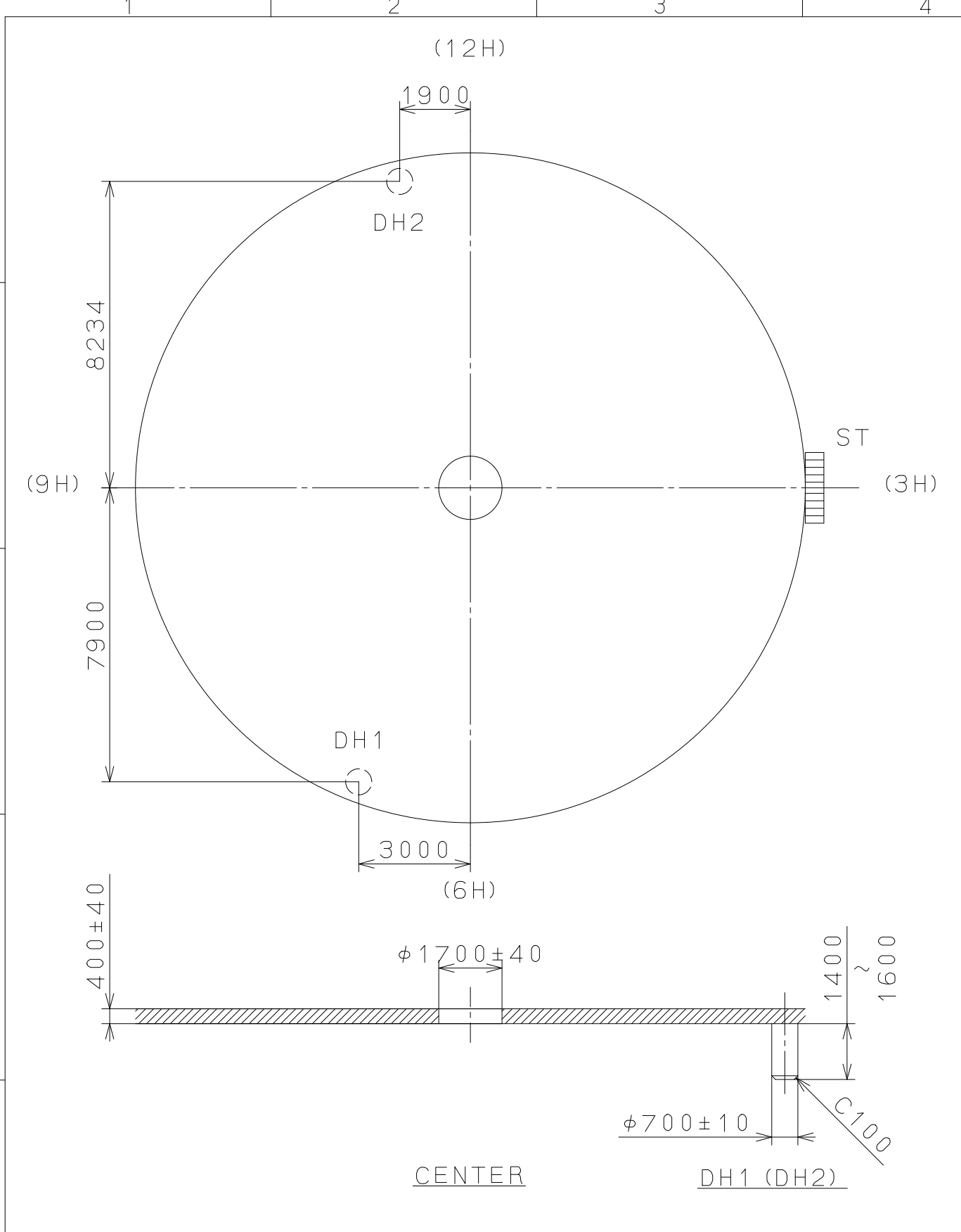
Section a9~a12

△5	Quantity	Cal. NO.:
△4	Unit	GL20
△3	Scale	10 : 1
△2	Date	Parts No.:
△1	Drawn	
Mark	Date	Checked
Alterations		Approved
Material		N. Suzuki
Heat Treatment		Name: Frame for Case
Hardness		Drawing No.: GL20C001
Plating		
General Tolerances		
Dimensions		
Angles		

MIYOTA

CITIZEN WATCH CO., LTD. TOKYO, JAPAN

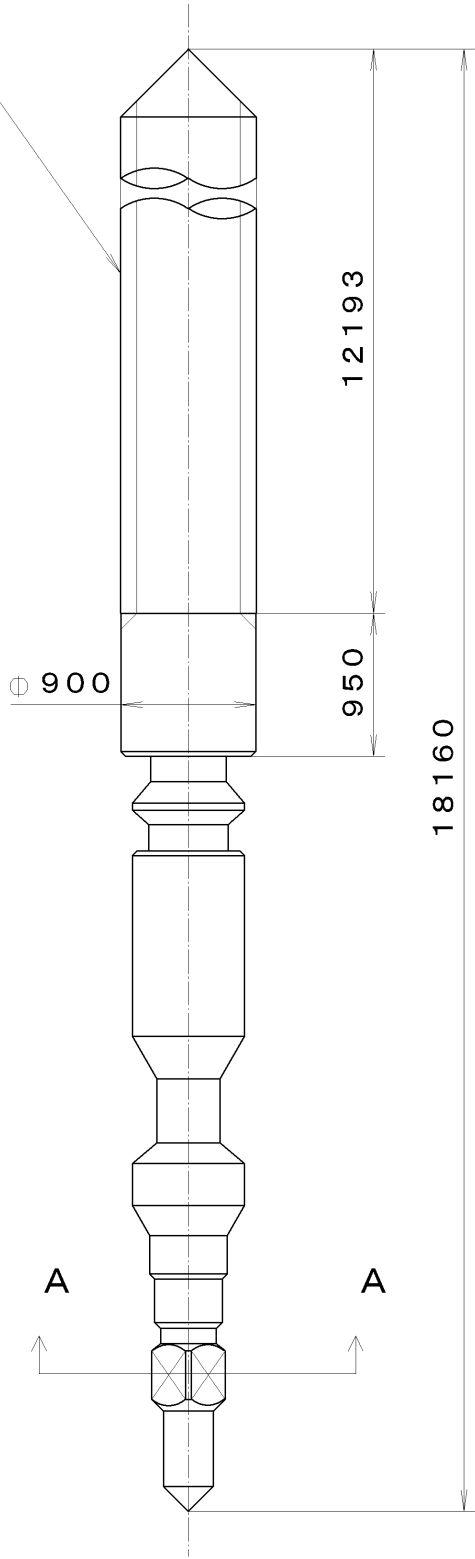
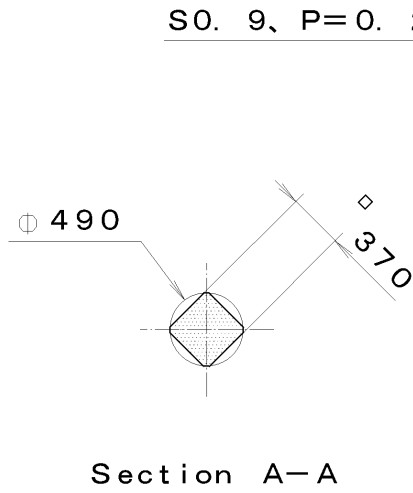
This drawing is provisional and subject to our reconfirmation and/or revision without notice.



△5			Quantity		Cal.NO.:
△4			Unit	1 / 1000 mm	GL20-S0A
△3			Scale	7 : 1	Parts No.:
△2			Date		
△1			Drawn		
Mark	Date	Description	Appr.	Checked	Name:
		Alterations	Approved	M. Kobayashi	Indications for Dial
Material					Drawing No.: GL20D000
Heat Treatment			General Tolerances	MIYOTA CITIZEN WATCH CO., LTD. TOKYO, JAPAN	
Hardness			Dimensions		
Plating			Angles		

This drawing is provisional and subject to our reconfirmation and/or revision without notice.

*** T I P W 065-541 (01) *** (2100 1121) 02-07-12



7				Quantity		Cal. No. :	
6				Unit	1/1000 mm	Parts: 065-541	
5				Scale	20:1		
4				Date			
3				Drawn		Name: SETTING STEM	
2				Checked	T. Hiruta		
1				Approved			
Material						Drawing No. : 5410S000	
Heat Treatment				General Tolerances		MIYOTA CITIZEN WATCH CO., LTD. TOKYO, JAPAN	
Hardness				Dimensions			
Plating				Angles			