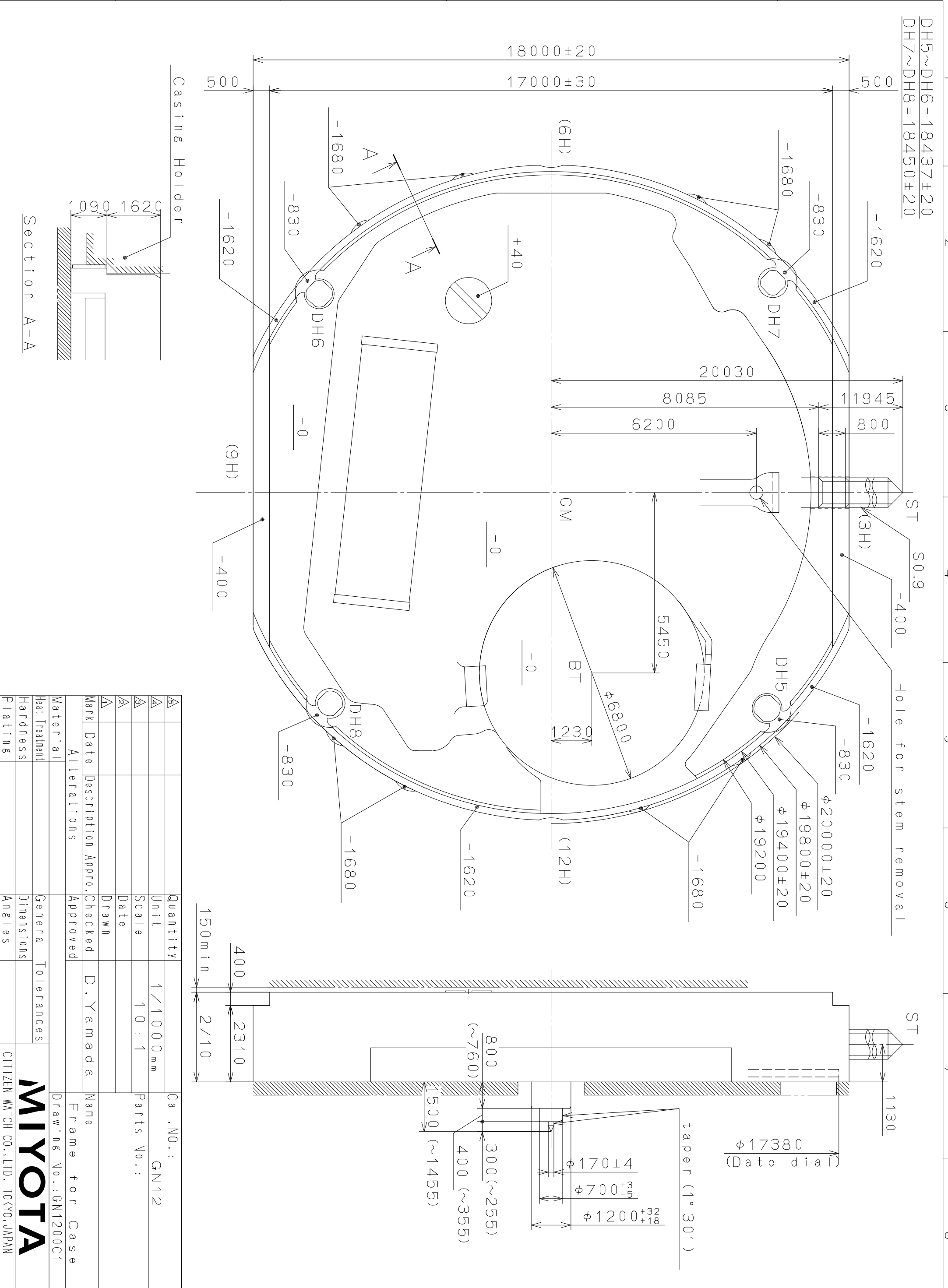


This drawing is provisional and subject to our reconfirmation and/or revision without notice.



DH5~DH6=18437±20
DH7~DH8=18450±20

Hole for stem removal

φ17380
(Date dia)

taper (1° 30')

φ170±4
φ700⁺³₋₅
φ1200⁺³²₊₁₈

800
(~760)
1500 (~1455)
300 (~255)
400 (~355)

150min
400
2310
2710

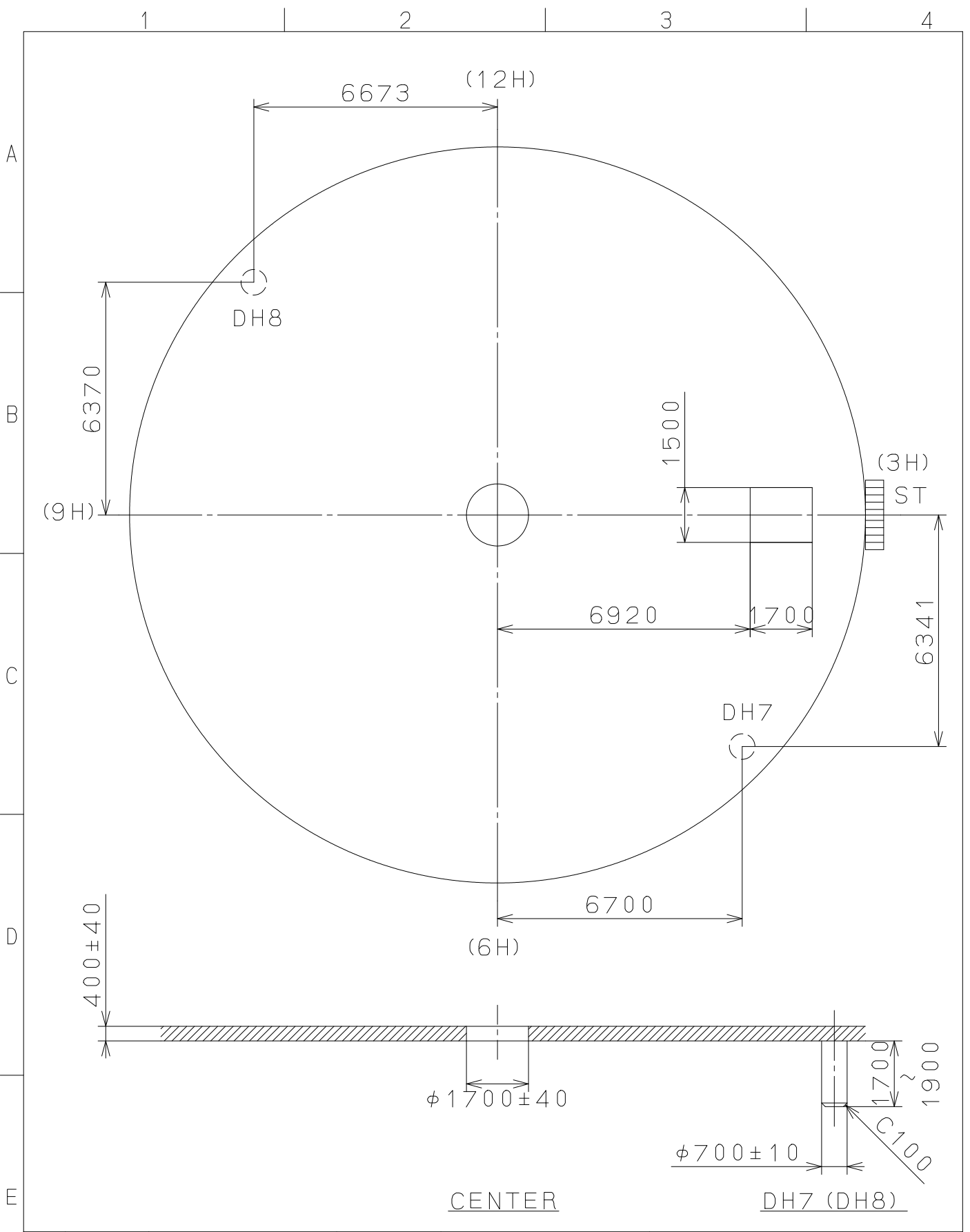
Casing Holder

Section A-A

Material	Alterations	Date	Description	Appr.	Checked	D. Yamada	Name:	Frame for Case
Heat Treatment								Drawing No.: GN1200C1
Hardness								
Plating								
General Tolerances								
Dimensions								
Angles								
Quantity	Unit	Cal. NO.:						GN12
1	1/1000 mm	Parts No.:						
Scale	10:1							
Date								
Drawn								
Checked								
Approved								

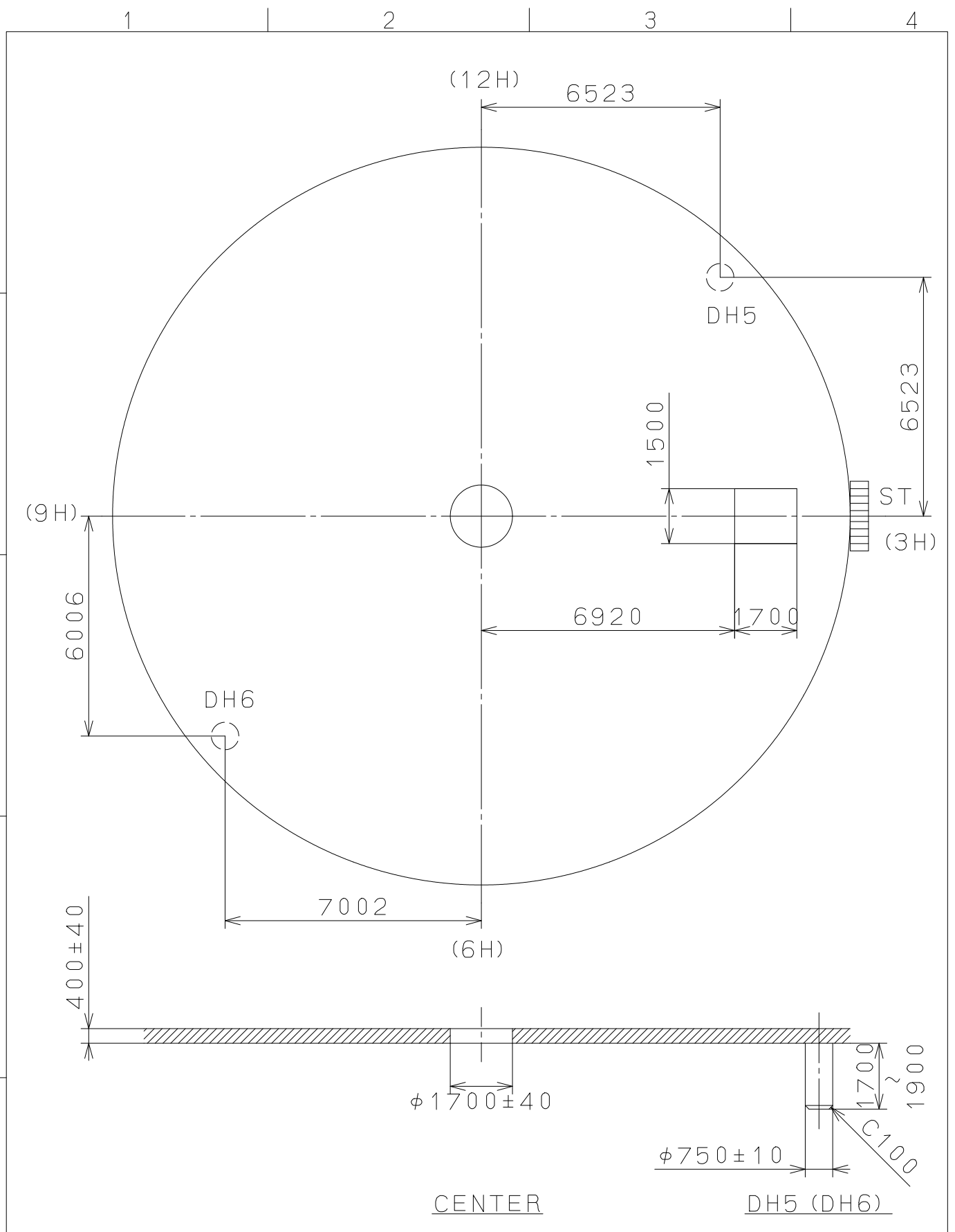
MIYOTA
CITIZEN WATCH CO., LTD. TOKYO, JAPAN

This drawing is provisional and subject to our reconfirmation and/or revision without notice.



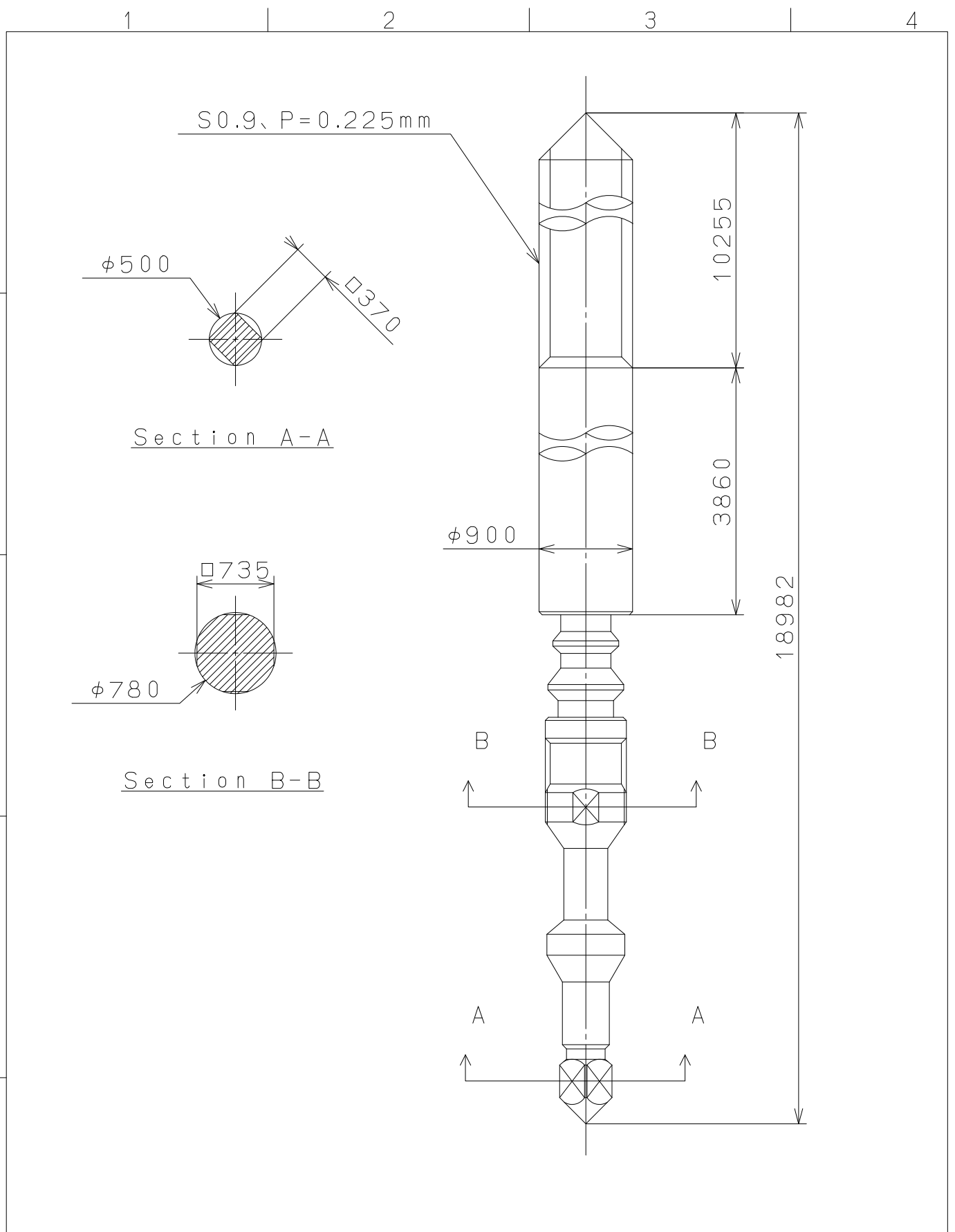
△			Quantity		Cal.NO.:
△			Unit	1 / 1000 mm	GN12-10A
△			Scale	7 : 1	Parts No.:
△			Date		
△			Drawn		
Mark	Date	Description	Appro.	Checked	Name:
		Alterations	Approved	D. Yamada	Indications for Dial
Material					Drawing No.: GN1201D0
Heat Treatment			General Tolerances		MIYOTA
Hardness			Dimensions		
Plating			Angles		
					CITIZEN WATCH CO., LTD. TOKYO, JAPAN

This drawing is provisional and subject to our reconfirmation and/or revision without notice.



△			Quantity		Cal.NO.:
△			Unit	1 / 1000 mm	GN12-10A
△			Scale	7 : 1	Parts No.:
△			Date		
△			Drawn		
Mark	Date	Description	Appr.	Checked	Name:
		Alterations	Approved	D. Yamada	Indications for Dial
Material					Drawing No.: GN1200D0
Heat Treatment				General Tolerances	MIYOTA
Hardness				Dimensions	
Plating				Angles	
					CITIZEN WATCH CO., LTD. TOKYO, JAPAN

This drawing is provisional and subject to our reconfirmation and/or revision without notice.



△			Quantity		Cal.NO.:
△			Unit	1 / 1000 mm	
△			Scale	20 : 1	Parts No.:
△			Date		065-543
△			Drawn		
Mark	Date	Description	Appr.	Checked	Name:
		Alterations	Approved	D. Yamada	SETTING STEM
Material					Drawing No.: 543000S1
Heat Treatment			General	Tolerances	MIYOTA
Hardness			Dimensions		
Plating			Angles		
					CITIZEN WATCH CO., LTD. TOKYO, JAPAN