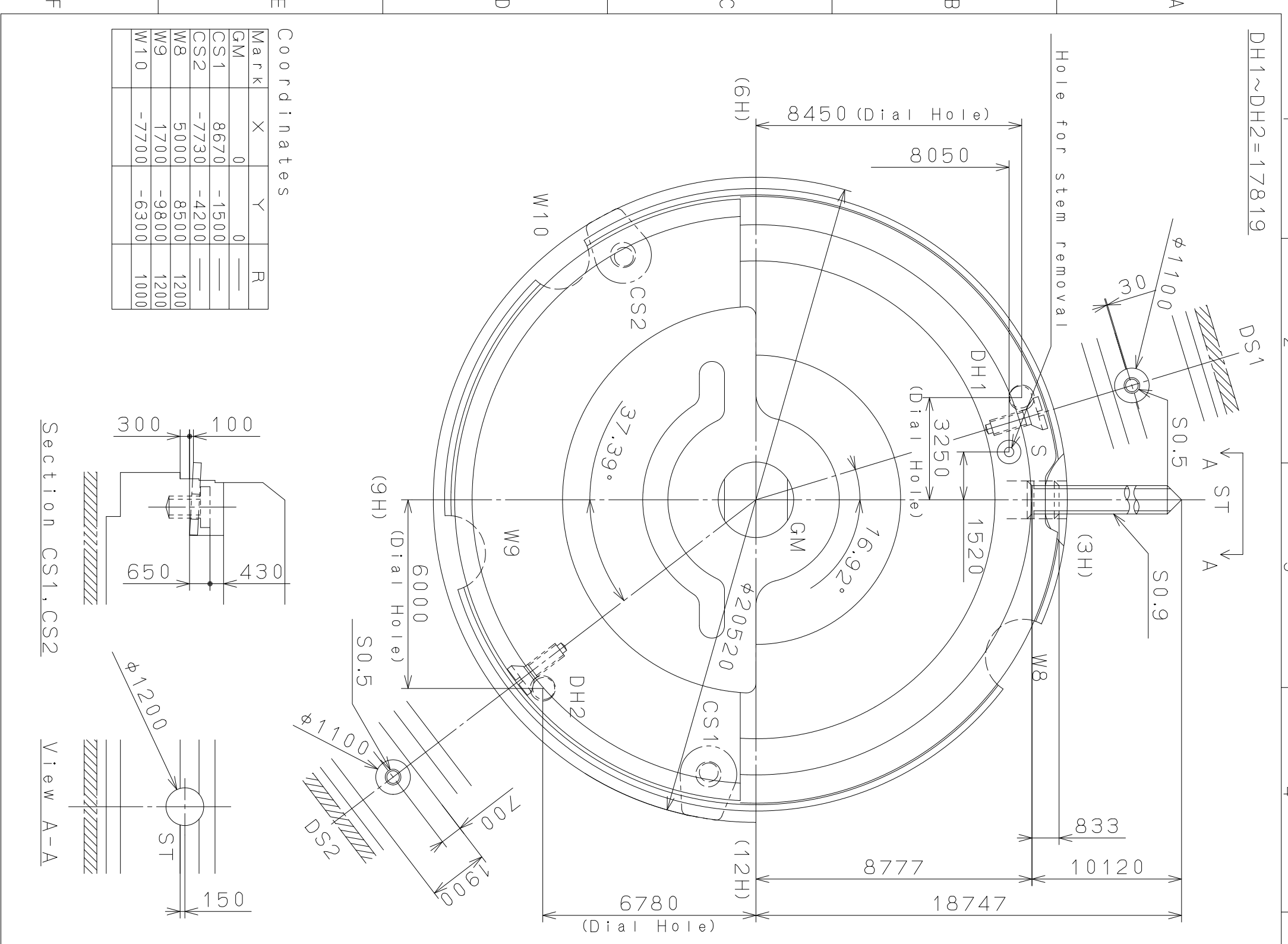
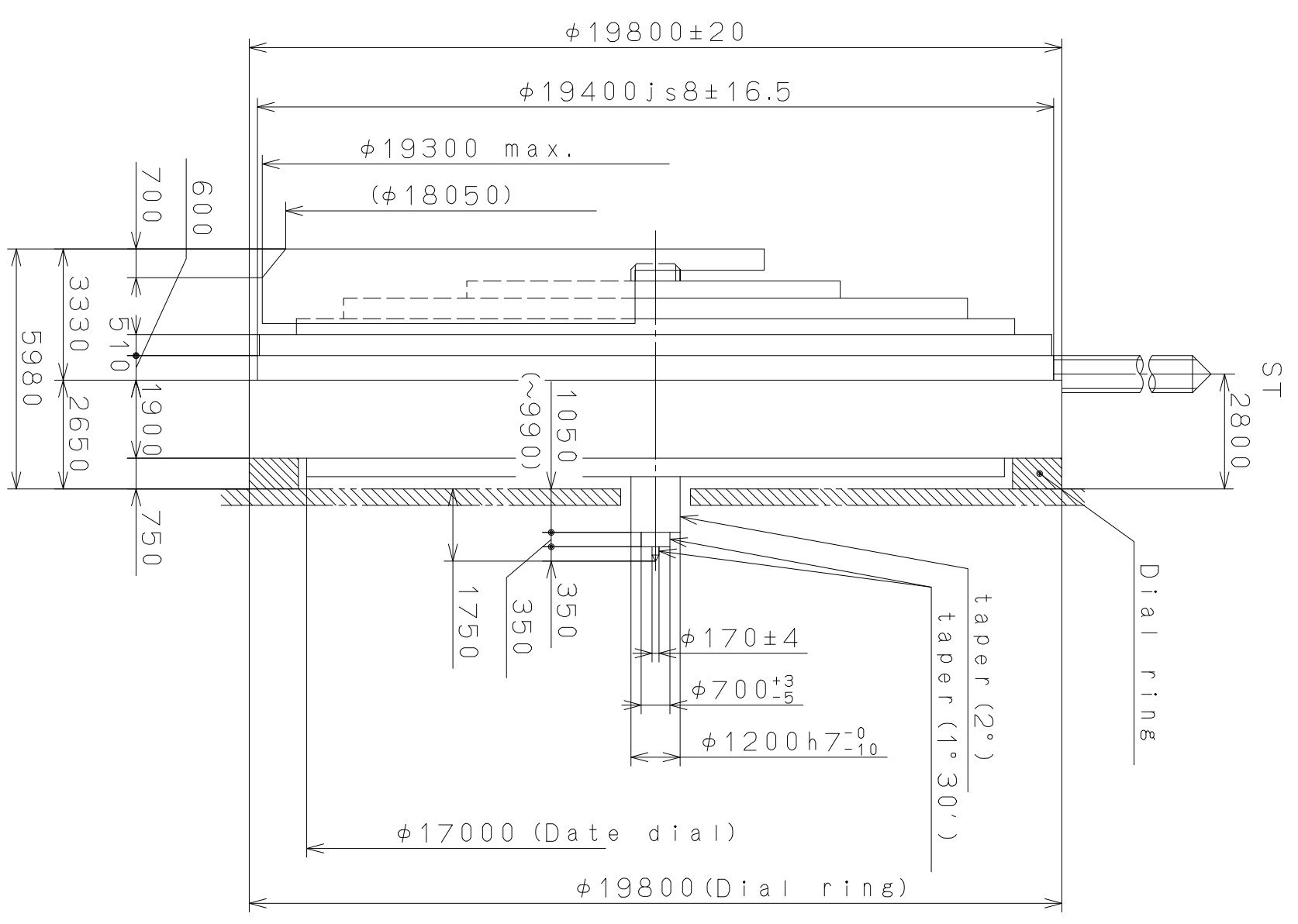
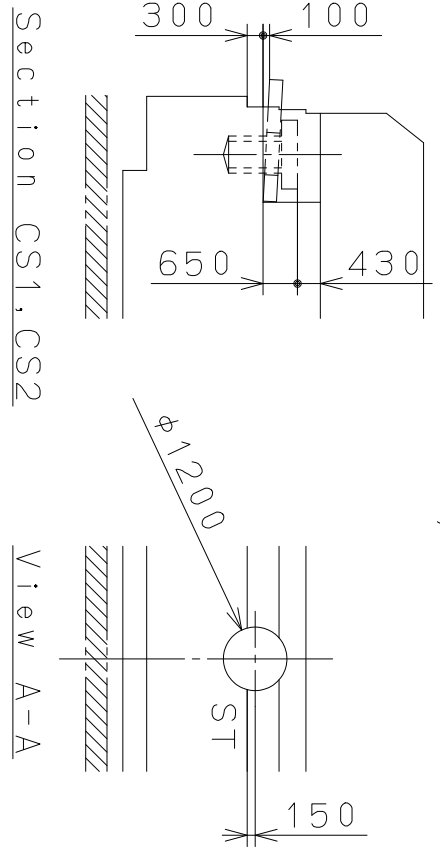


This drawing is provisional and subject to our reconfirmation and/or revision without notice.



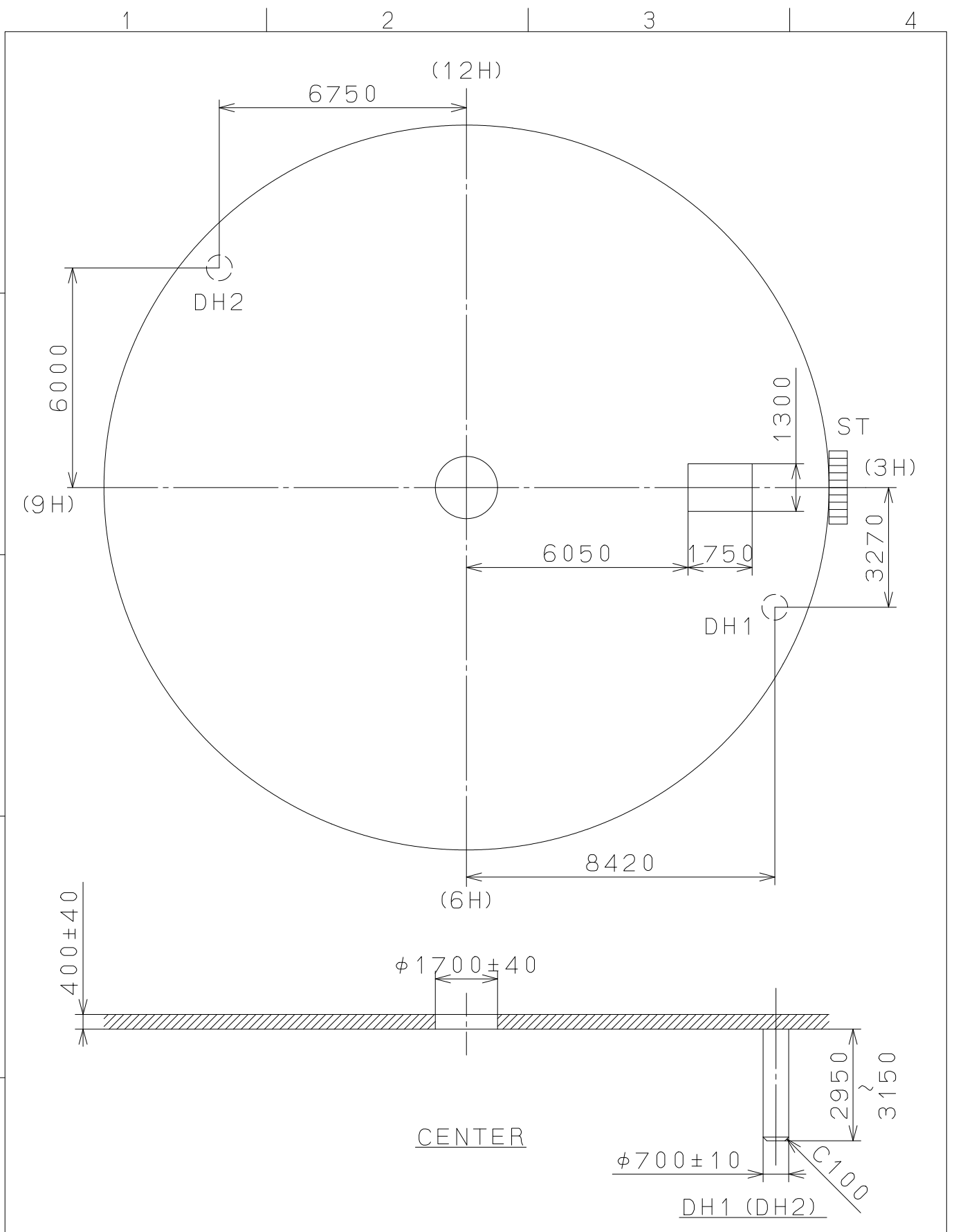
Coordinates

Mark	X	Y	R
GM	0	0	—
CS1	8670	-1500	—
CS2	-7730	-4200	—
W8	5000	8500	1200
W9	1700	-9800	1200
W10	-7700	-6300	1000



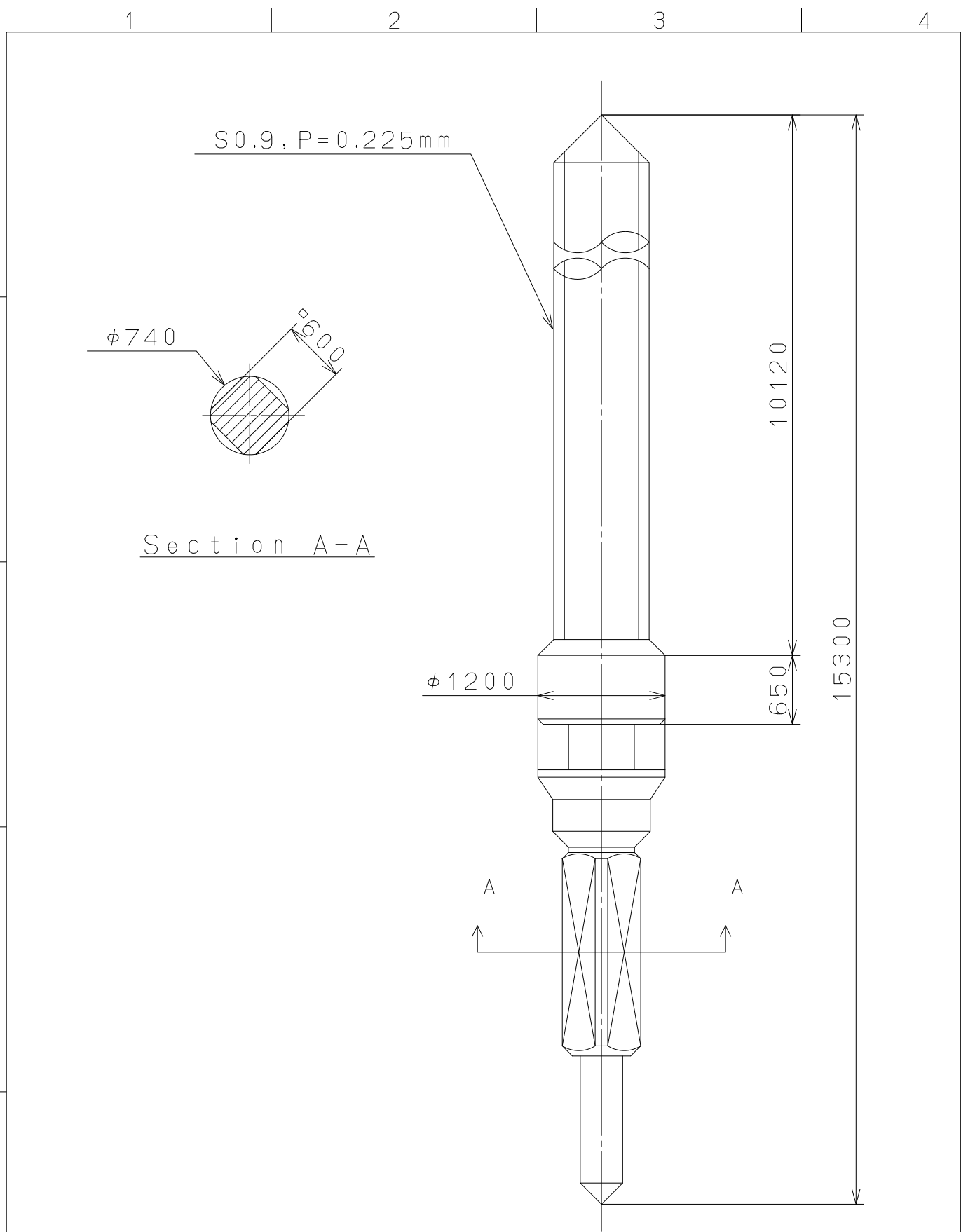
Material	Alterations	Quantity	Unit	Cal. NO.:
Heat Treatment	Date	1	1/1000 mm	6T15
Hardness	Description	Scale	7 : 1	Parts No.:
Plating	Appr. Checked	Drawn	D. Yamada	Name:
	Approved			Frame for Case
				Drawing No.: 6T1500C0
				<b>MIYOTA</b>
				CITIZEN WATCH CO., LTD. TOKYO, JAPAN

This drawing is provisional and subject to our reconfirmation and/or revision without notice.



△			Quantity		Cal.NO.:
△			Unit	1 / 1000 mm	6T15-21A
△			Scale	7 : 1	Parts No.:
△			Date		
△			Drawn		
Mark	Date	Description	Appro.	Checked	Name:
		Alterations	Approved	D. Yamada	Indications for Dial
Material					Drawing No.: 6T1500D0
Heat Treatment			General Tolerances		<b>MIYOTA</b>
Hardness			Dimensions		
Plating			Angles		
					CITIZEN WATCH CO., LTD. TOKYO, JAPAN

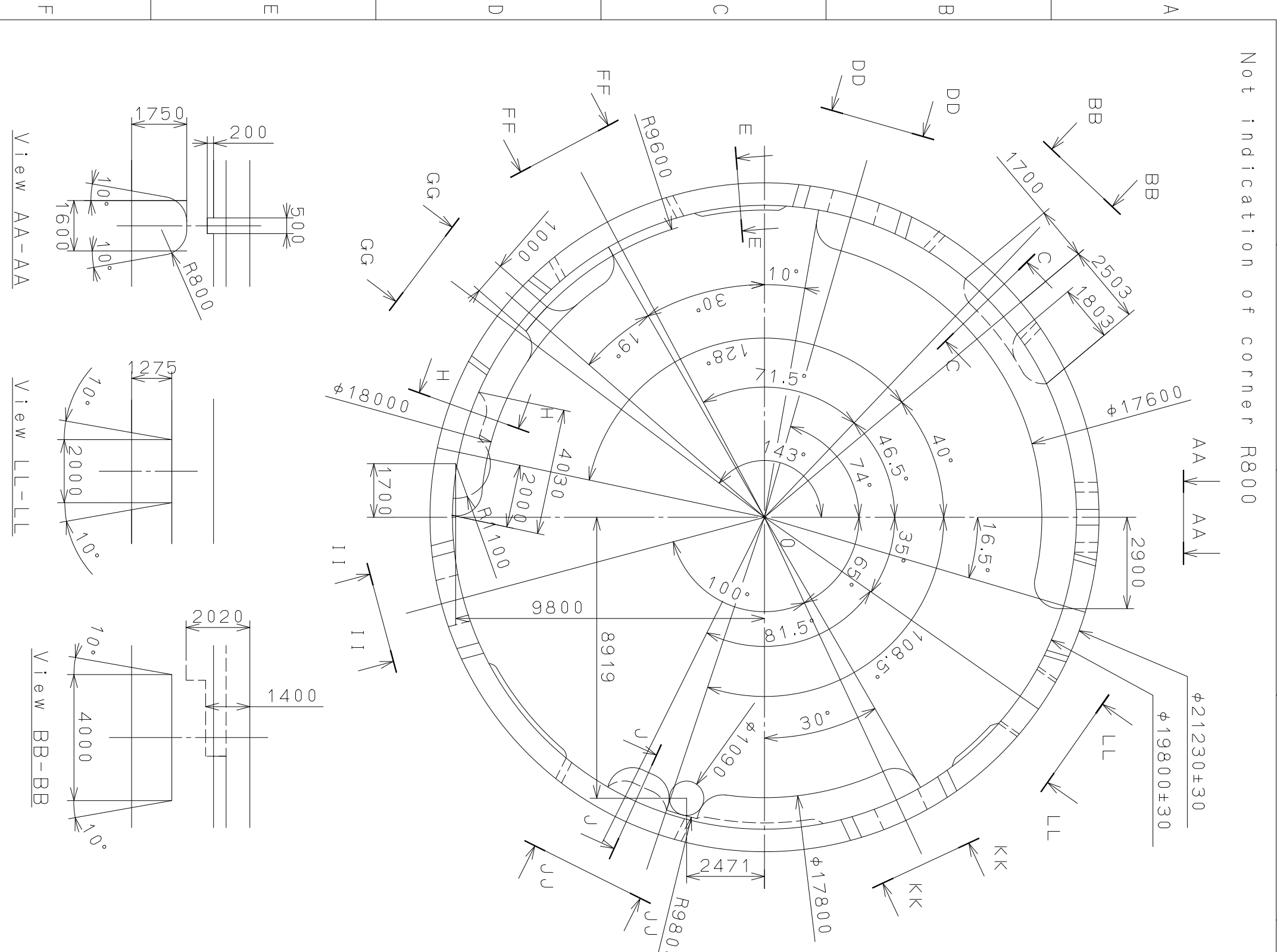
This drawing is provisional and subject to our reconfirmation and/or revision without notice.



△			Quantity		Cal.NO.:
△			Unit	1/1000 <sub>mm</sub>	
△			Scale	20:1	Parts No.:
△			Date		065-117
△			Drawn		Name:
Mark	Date	Description	Appro.	Checked	D. Yamada
Alterations			Approved	SETTING STEM	
Material					Drawing No.: 117000S0
Heat Treatment					<b>MIYOTA</b>
Hardness					
Plating					
					CITIZEN WATCH CO., LTD. TOKYO, JAPAN

This drawing is provisional and subject to our reconfirmation and/or revision without notice.

Not indication of corner R800



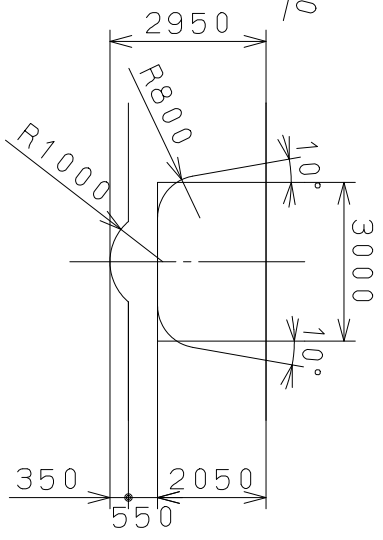
View AA-AA

View LL-LL

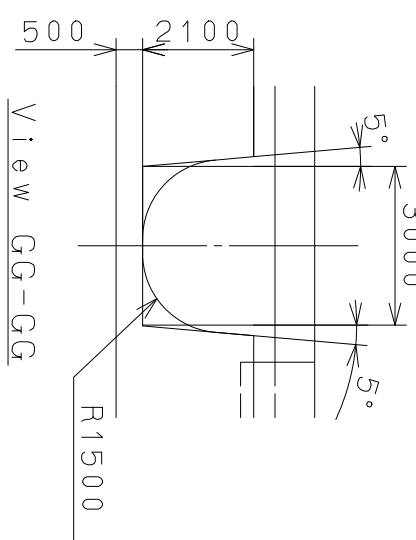
View BB-BB

Material	Alterations	Date	Description	Appr.	Checked	Drawn	D. Yamada	Name:	Casing Holder
Heat Treatment									
Hardness									
Plating									
Quantity	Unit	Scale	Date	Approved	Cal. NO.:				
1	1/1000 mm	7:1			Parts No.:				
					500-6621				
General Tolerances		Drawing No.: 665000E0							
Dimensions		Miyota							
Angles		CITIZEN WATCH CO., LTD. TOKYO, JAPAN							

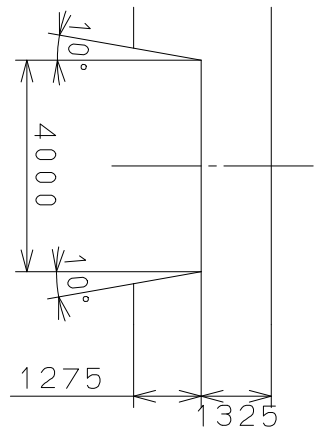
View DD-DD  
II-II, KK-KK



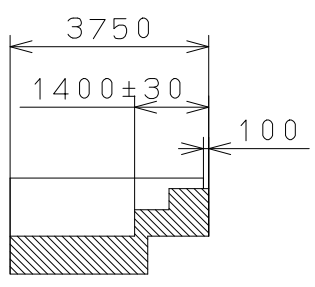
View GG-GG



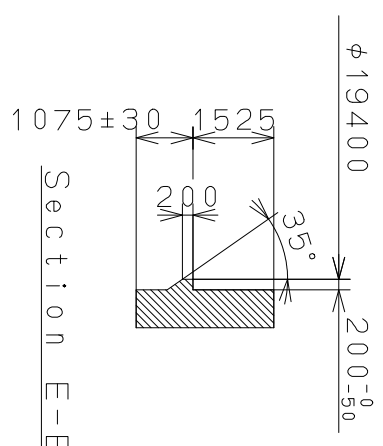
View FF-FF, JJ-JJ



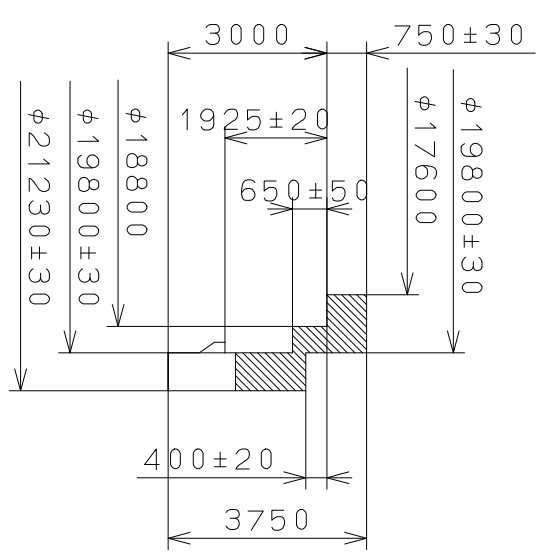
Section H-H



Section E-E



Section C-C



Section J-J

