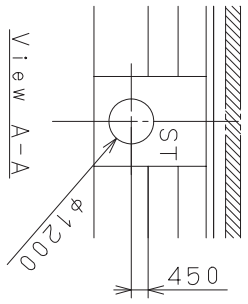
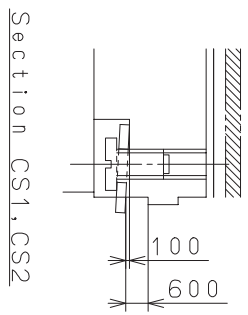
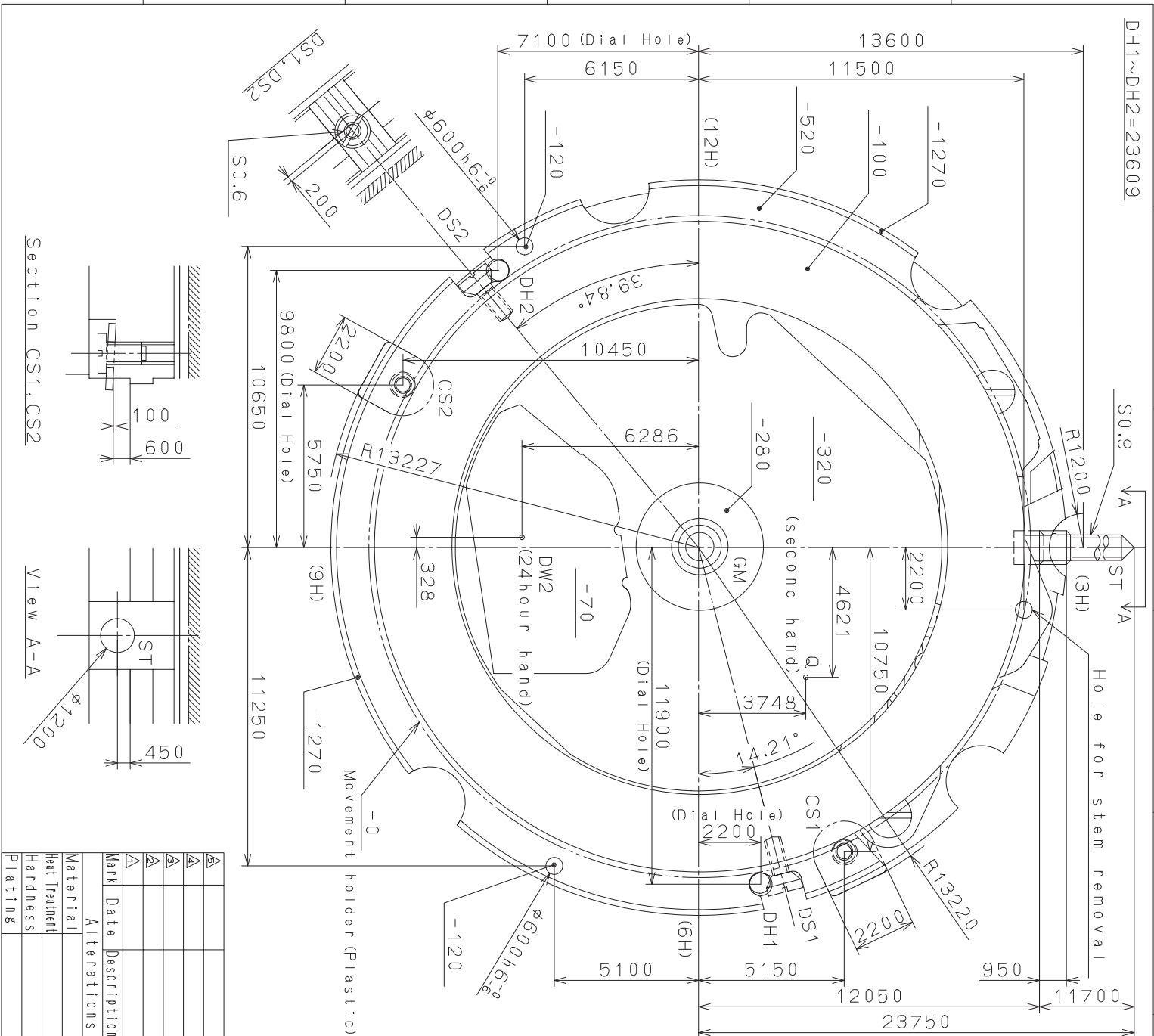
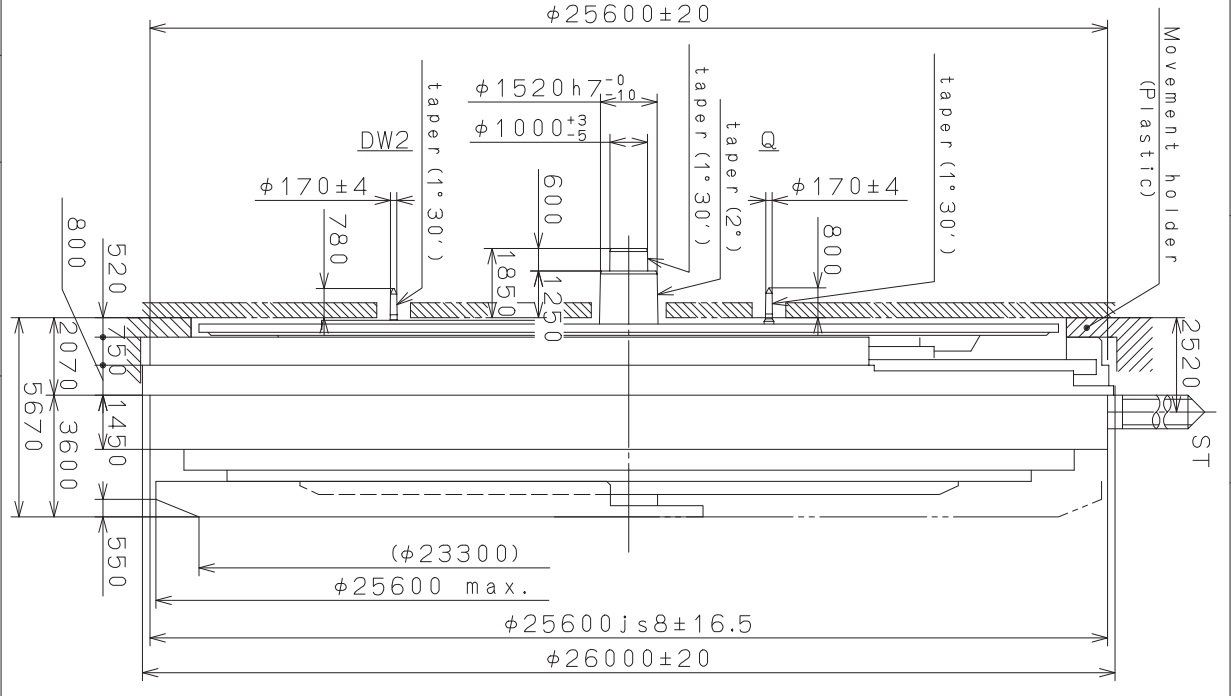


This drawing is provisional and subject to our reconfirmation and/or revision without notice.

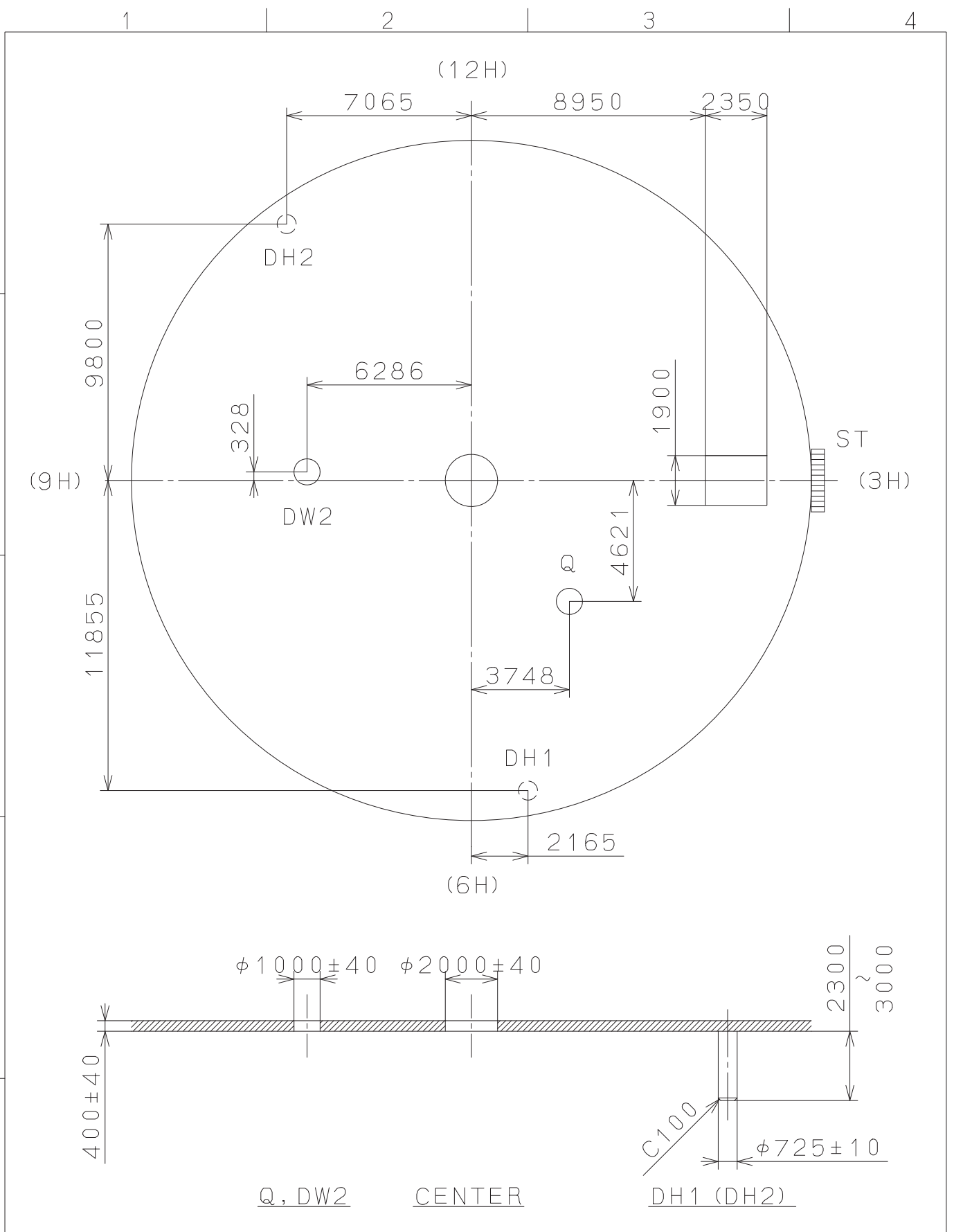


Material	Alterations	Quantity	Unit	Cal. NO. :	8219
Heat Treatment	Approved	1/1000	mm	Parts No. :	
Hardness	Checked	Scale	7 : 1	Name :	Frame for Case
Plating	Drawn	Date		Drawing No. :	8219C004
	Approved	N. Suzuki			
General Tolerances					
Dimensions					
Angles					
MIYOTA					
CITIZEN WATCH CO., LTD. TOKYO, JAPAN					



2010/06/01 (12:49:15)

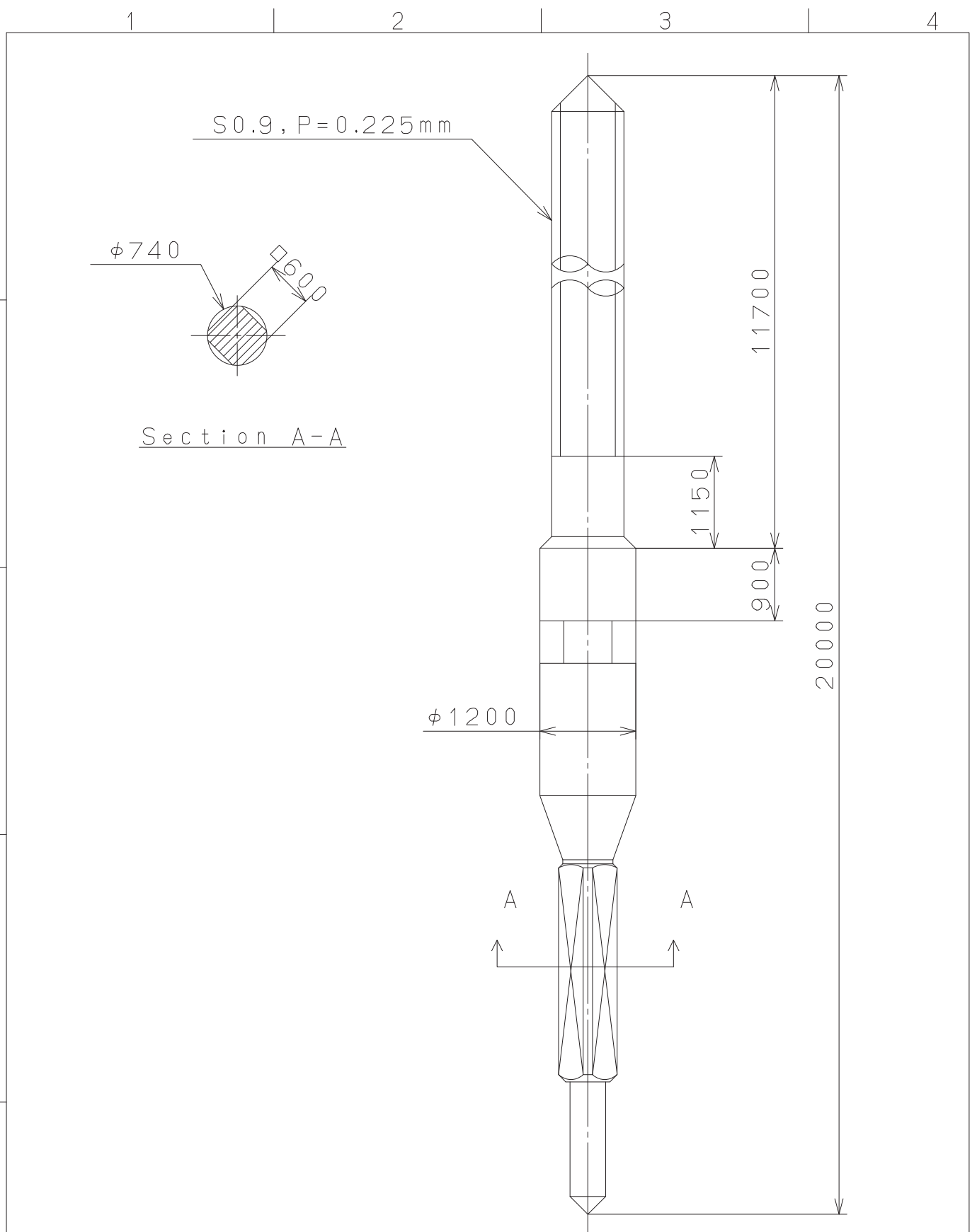
This drawing is provisional and subject to our reconfirmation and/or revision without notice.



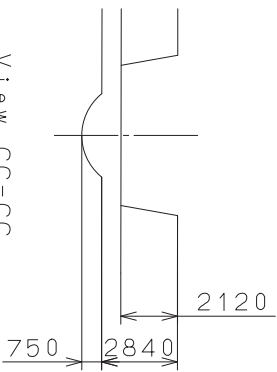
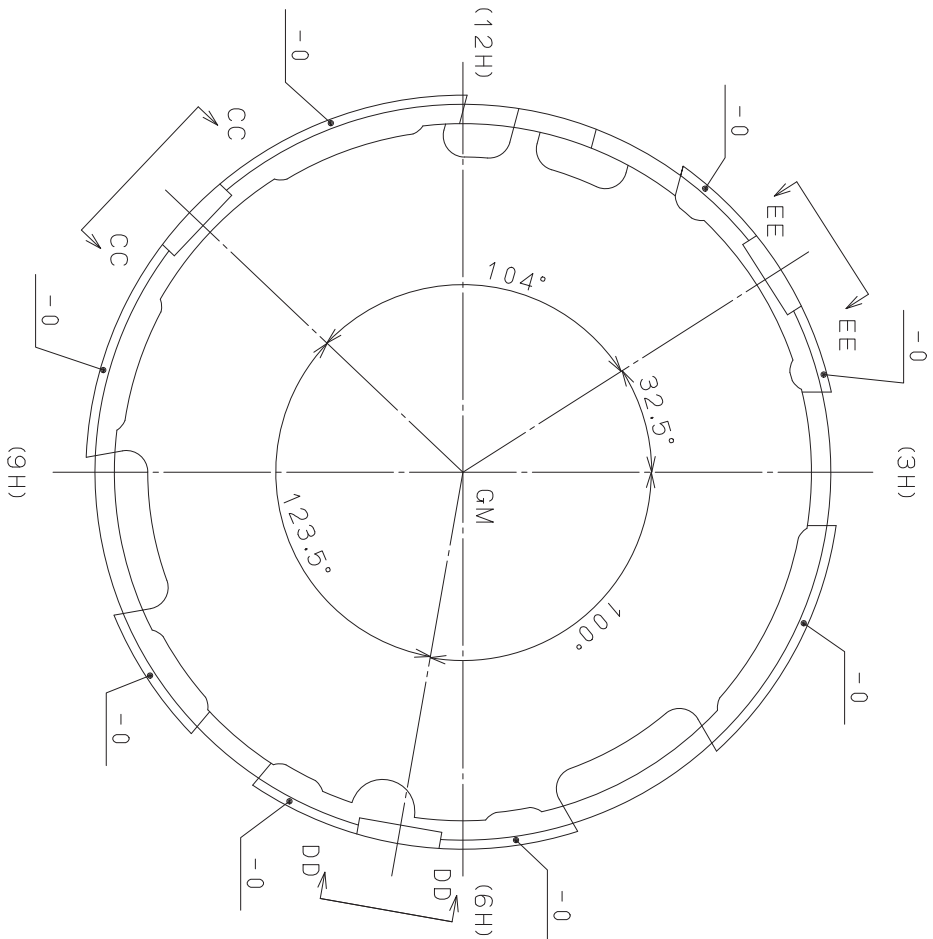
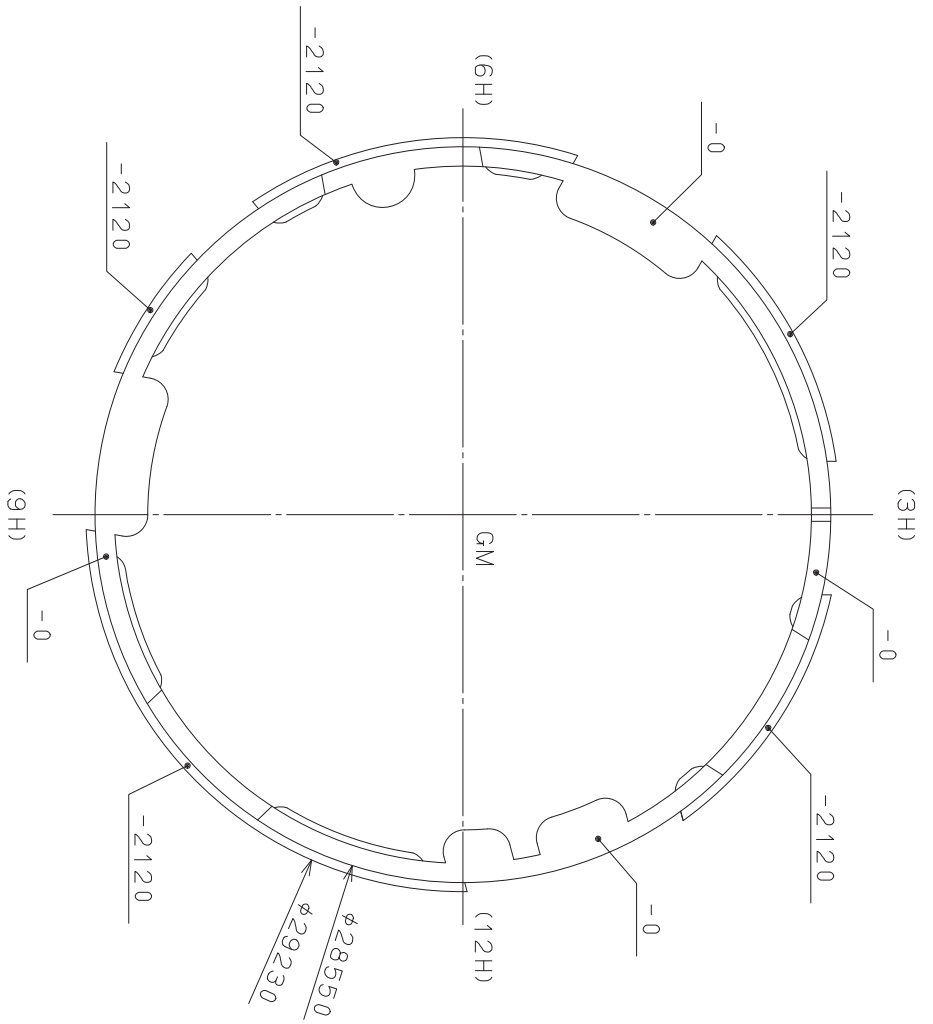
△			Quantity		Cal. NO.:
△			Unit	1 / 1000 mm	8219-21A
△			Scale	5 : 1	Parts No.:
△			Date		
△			Drawn		
Mark	Date	Description	Appr.	Checked	Name:
		Alterations		Approved	Indications for Dial
Material					Drawing No.: 8219D000
Heat Treatment			General Tolerances		MIYOTA
Hardness			Dimensions		
Plating			Angles		
					CITIZEN WATCH CO., LTD. TOKYO, JAPAN

2008/11/14 (11:30:42)

This drawing is provisional and subject to our reconfirmation and/or revision without notice.



△			Quantity		Cal.NO.:
△			Unit	1/1000 mm	
△			Scale	15:1	Parts No.:
△			Date		065-212
△			Drawn		
Mark	Date	Description	Appr.	Checked	Name:
		Alterations	Approved	N. Suzuki	SETTING STEM
Material					Drawing No.: 2120S001
Heat Treatment				General Tolerances	MIYOTA
Hardness				Dimensions	
Plating				Angles	
					CITIZEN WATCH CO., LTD. TOKYO, JAPAN



View CC-CC
DD-DD, EE-EE

△	Quantity	1/1000 mm	Cal. No.:
△	Unit	5 : 1	Parts No.:
△	Scale	500-710	
△	Date		
△	Date		
△	Drawn		
Mark	Date	Appr.	Checked
Alterations	N. Suzuki		
Material	Casing Holder		
Heat Treatment	Drawing No.: 8200E002		
Hardness	General Tolerances		
Plating	Dimensions		
	Angles		
	CITIZEN WATCH CO., LTD. TOKYO, JAPAN		
	MIYOTA		