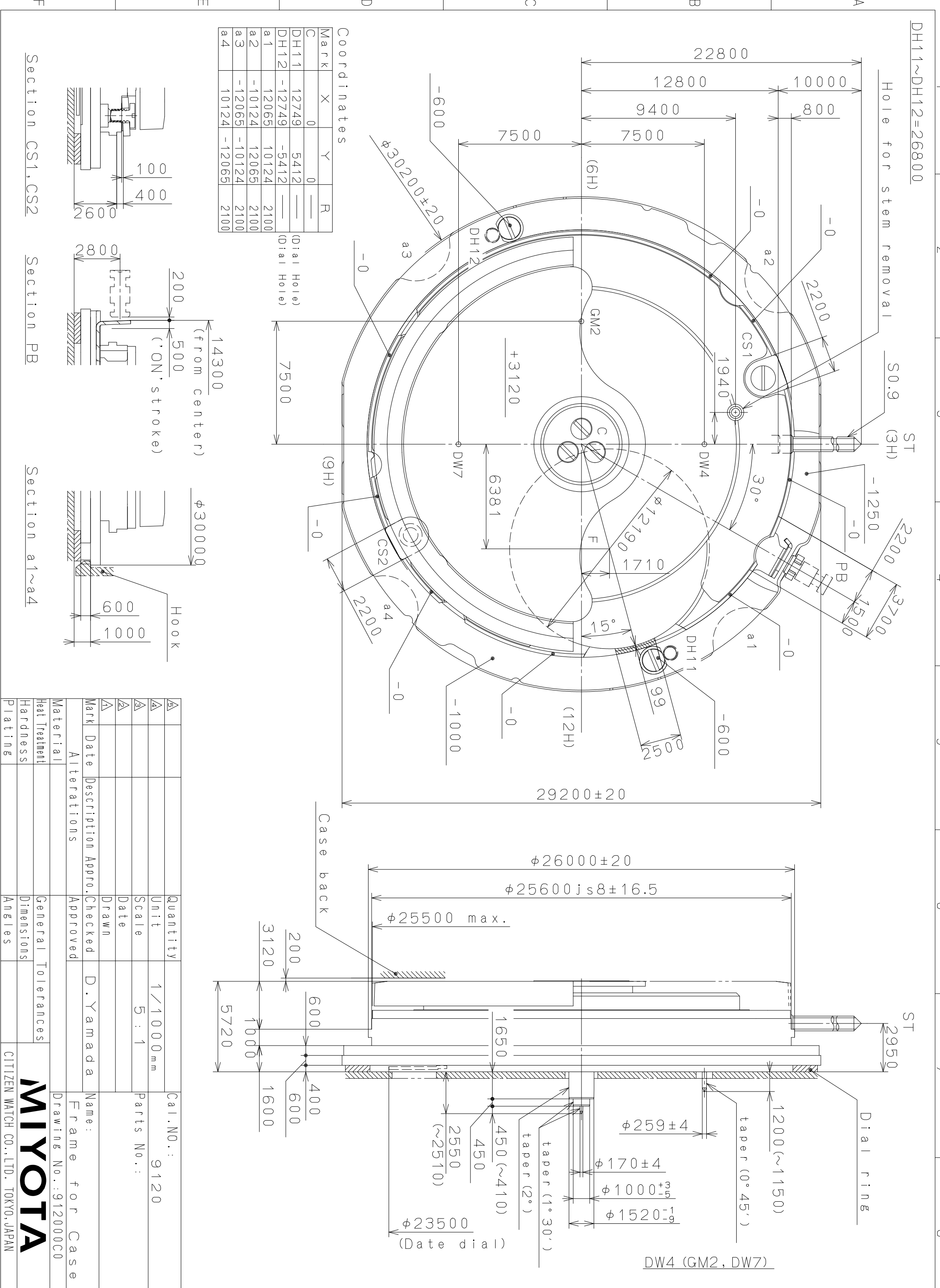


This drawing is provisional and subject to our reconfirmation and/or revision without notice.



Coordinates

Mark	X	Y	R
C	0	0	—
DH11	12749	5412	—
DH12	-12749	-5412	—
a1	12065	10124	2100
a2	-10124	12065	2100
a3	-12065	-10124	2100
a4	10124	-12065	2100

(Dial Hole)  
(Dial Hole)

Mark	X	Y	R
C	0	0	—
DH11	12749	5412	—
DH12	-12749	-5412	—
a1	12065	10124	2100
a2	-10124	12065	2100
a3	-12065	-10124	2100
a4	10124	-12065	2100

Hook

Mark	X	Y	R
C	0	0	—
DH11	12749	5412	—
DH12	-12749	-5412	—
a1	12065	10124	2100
a2	-10124	12065	2100
a3	-12065	-10124	2100
a4	10124	-12065	2100

Case back

Mark	X	Y	R
C	0	0	—
DH11	12749	5412	—
DH12	-12749	-5412	—
a1	12065	10124	2100
a2	-10124	12065	2100
a3	-12065	-10124	2100
a4	10124	-12065	2100

Hook

Mark	X	Y	R
C	0	0	—
DH11	12749	5412	—
DH12	-12749	-5412	—
a1	12065	10124	2100
a2	-10124	12065	2100
a3	-12065	-10124	2100
a4	10124	-12065	2100

Hook

Mark	X	Y	R
C	0	0	—
DH11	12749	5412	—
DH12	-12749	-5412	—
a1	12065	10124	2100
a2	-10124	12065	2100
a3	-12065	-10124	2100
a4	10124	-12065	2100

Hook

Mark	X	Y	R
C	0	0	—
DH11	12749	5412	—
DH12	-12749	-5412	—
a1	12065	10124	2100
a2	-10124	12065	2100
a3	-12065	-10124	2100
a4	10124	-12065	2100

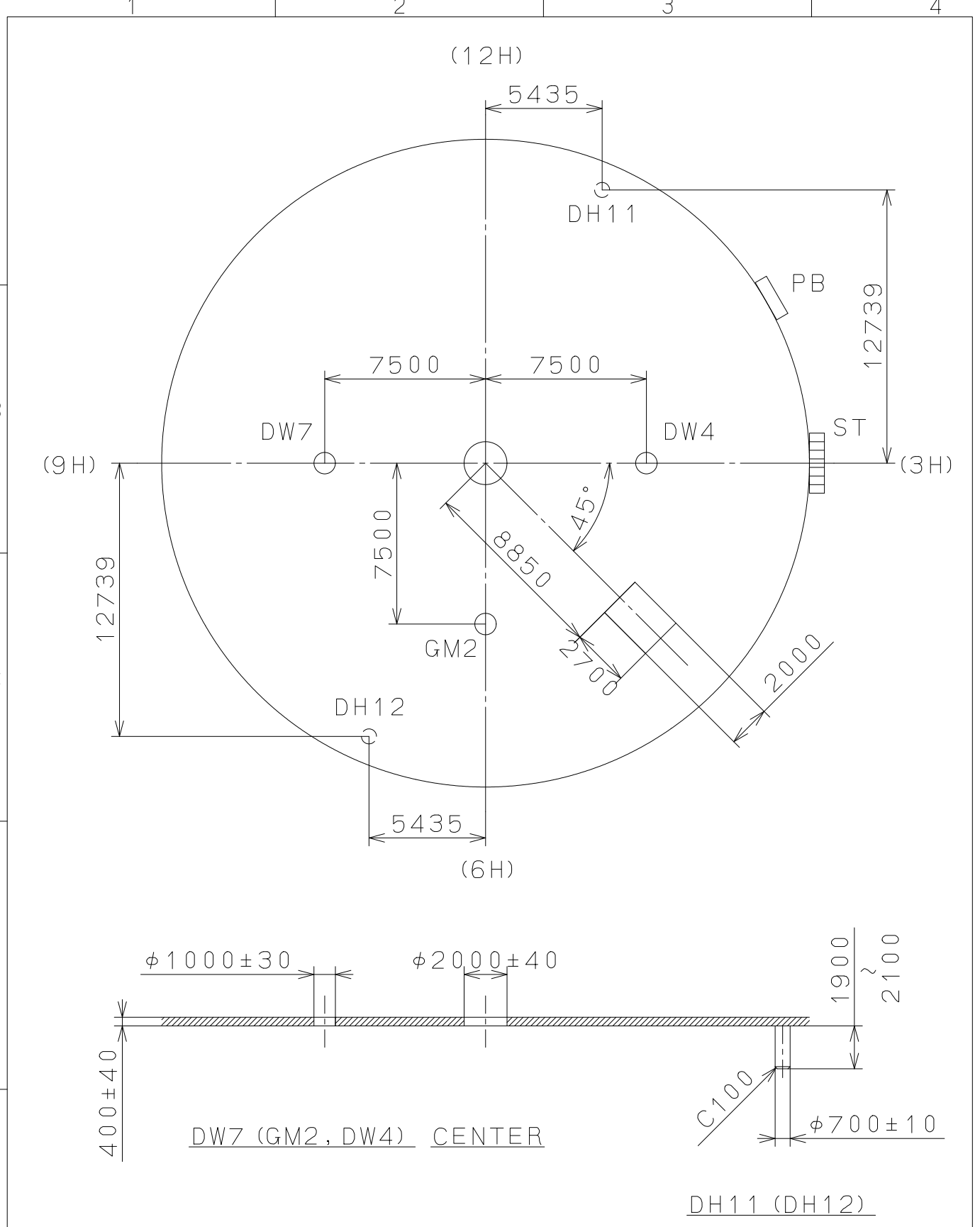
Material	Alterations	Date	Description	Appr.	Checked	Drawn	D. Yamada	Name:	Frame for Case
Material									
Heat Treatment									
Hardness									
Plating									

Quantity	Unit	Scale	Date	Drawn	Checked	Appr.	D. Yamada	Name:	Frame for Case
5	1/1000 mm	5:1							

Cal. NO.: 9120  
Parts No.:  
Drawing No.: 912000C0

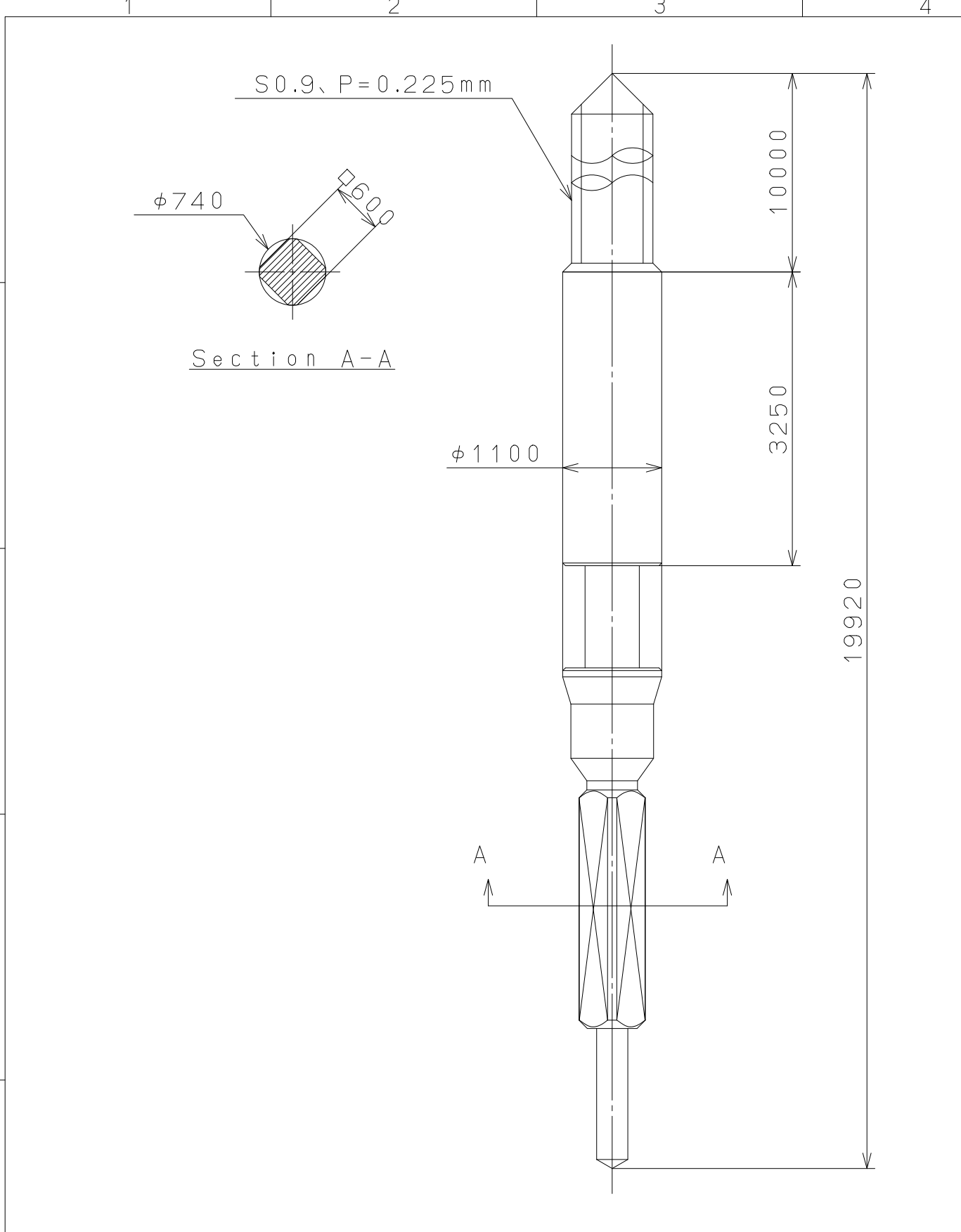
**MIYOTA**  
CITIZEN WATCH CO., LTD. TOKYO, JAPAN

This drawing is provisional and subject to our reconfirmation and/or revision without notice.



△			Quantity		Cal.NO.:
△			Unit	1 / 1000 mm	9120-20A
△			Scale	4 : 1	Parts No.:
△			Date		
△			Drawn		
Mark	Date	Description	Appr.	Checked	Name:
		Alterations		Approved	D. Yamada
Material					Indications for Dial
Heat Treatment					Drawing No.: 912000D0
Hardness					<b>MIYOTA</b>
Plating					

This drawing is provisional and subject to our reconfirmation and/or revision without notice.



△			Quantity		Cal.NO.:
△			Unit	1 / 1000 mm	
△			Scale	17 : 1	Parts No.:
△			Date		065-A05
△			Drawn		Name:
Mark	Date	Description	Appr.	Checked	D. Yamada
Alterations			Approved	SETTING STEM	
Material					Drawing No.: A05000S0
Heat Treatment					<b>MIYOTA</b>
Hardness					
Plating					
					CITIZEN WATCH CO., LTD. TOKYO, JAPAN