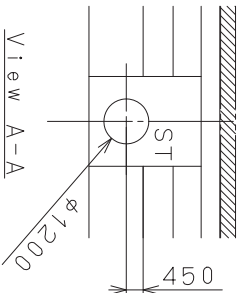
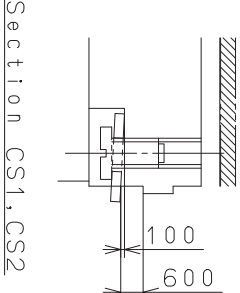
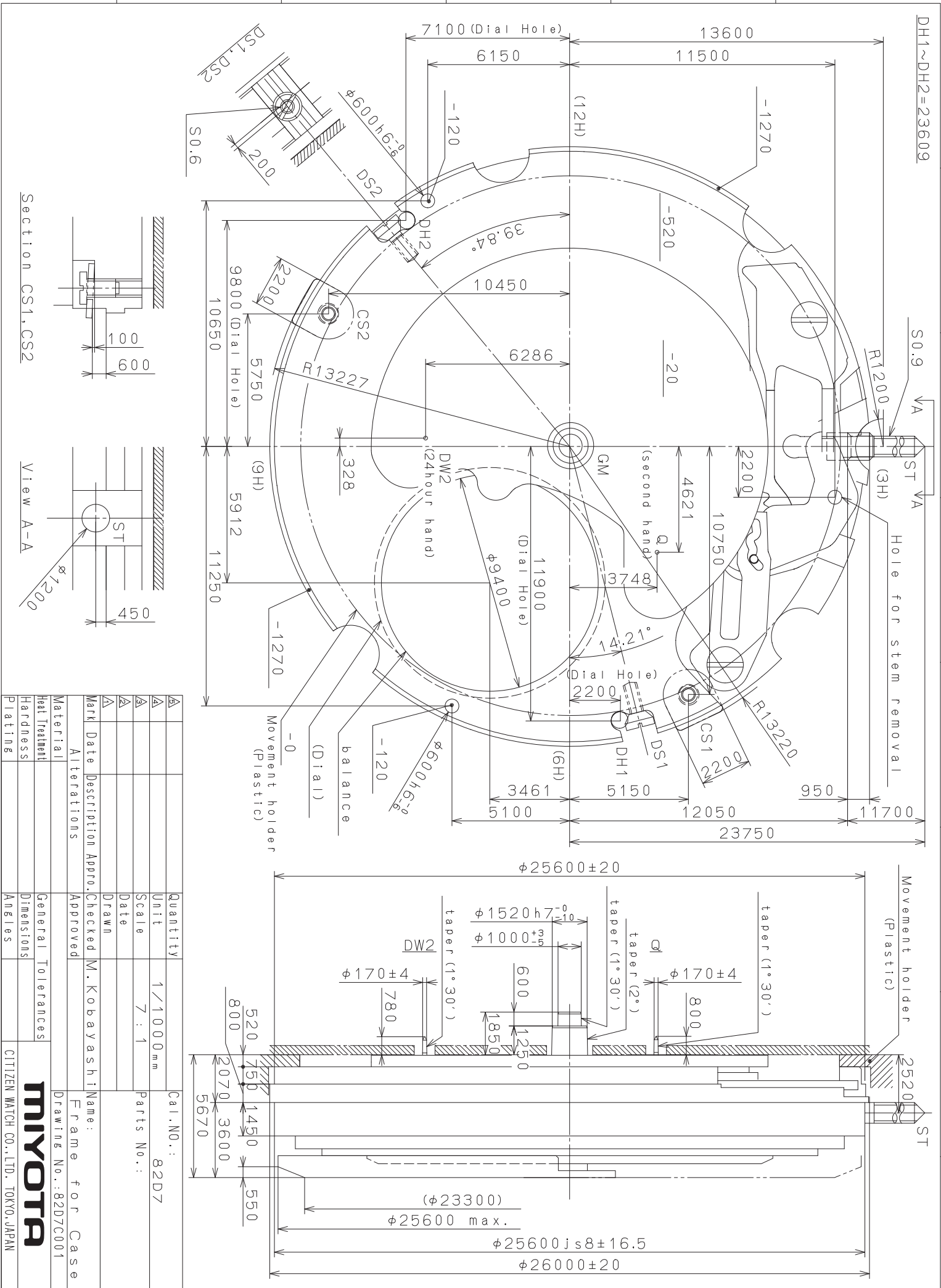


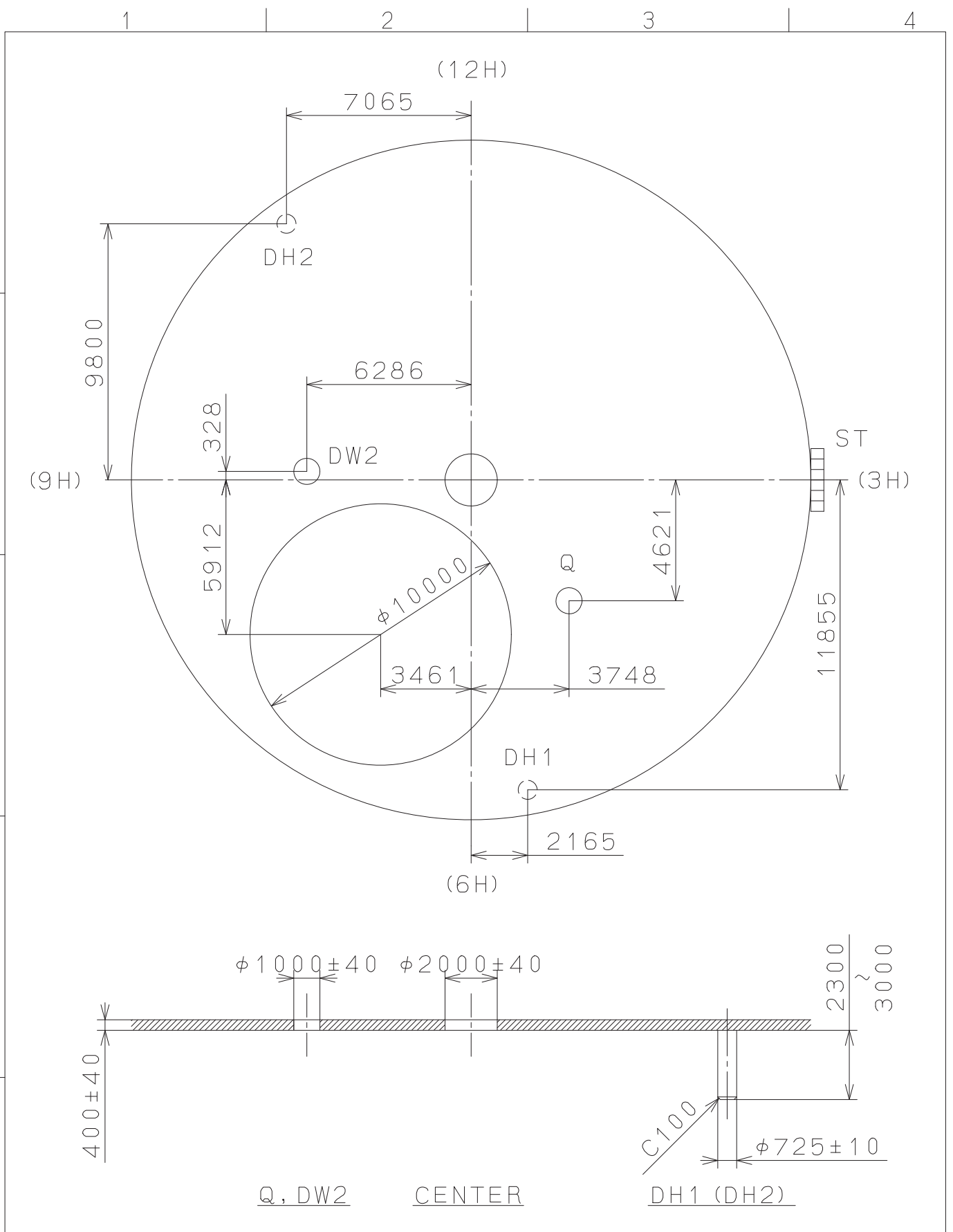
This drawing is provisional and subject to our reconfirmation and/or revision without notice.



Material	Alterations	Quantity	Unit	Cal. NO.:
Heat Treatment		1/1000	mm	82D7
Hardness		Scale	7 : 1	Parts No.:
Plating		Date		
		Drawn		
		Checked		
		Approved		
		M. Kobayashi		
		Name:		
		Frame for Case		
		Drawing No.: 82D7C001		
		General Tolerances		
		Dimensions		
		Angles		
		CITIZEN WATCH CO., LTD. TOKYO, JAPAN		

MIYOTA

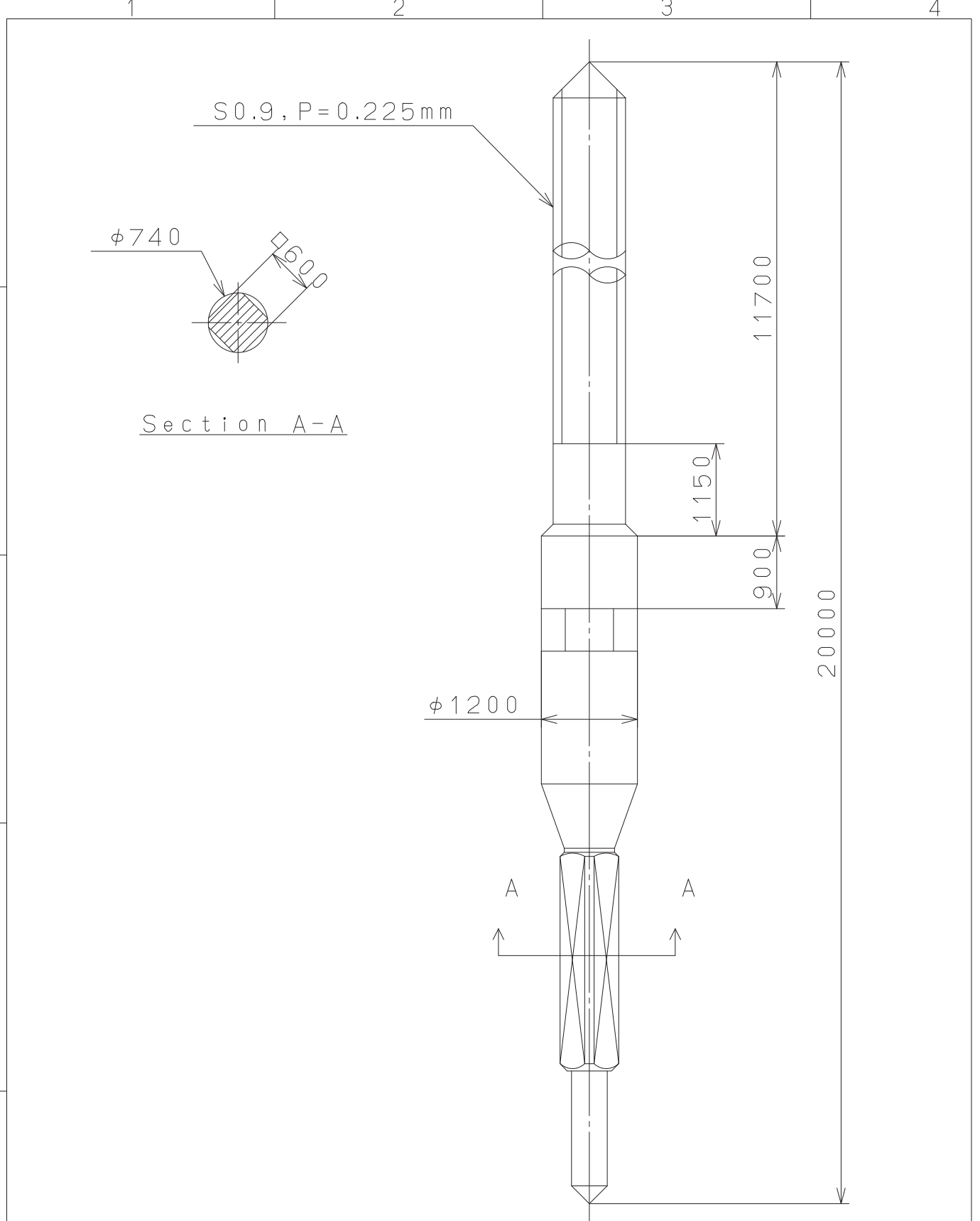
This drawing is provisional and subject to our reconfirmation and/or revision without notice.



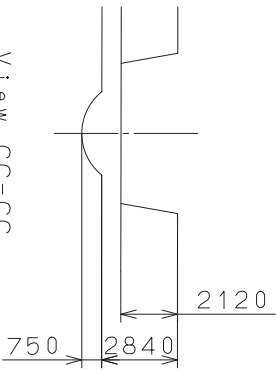
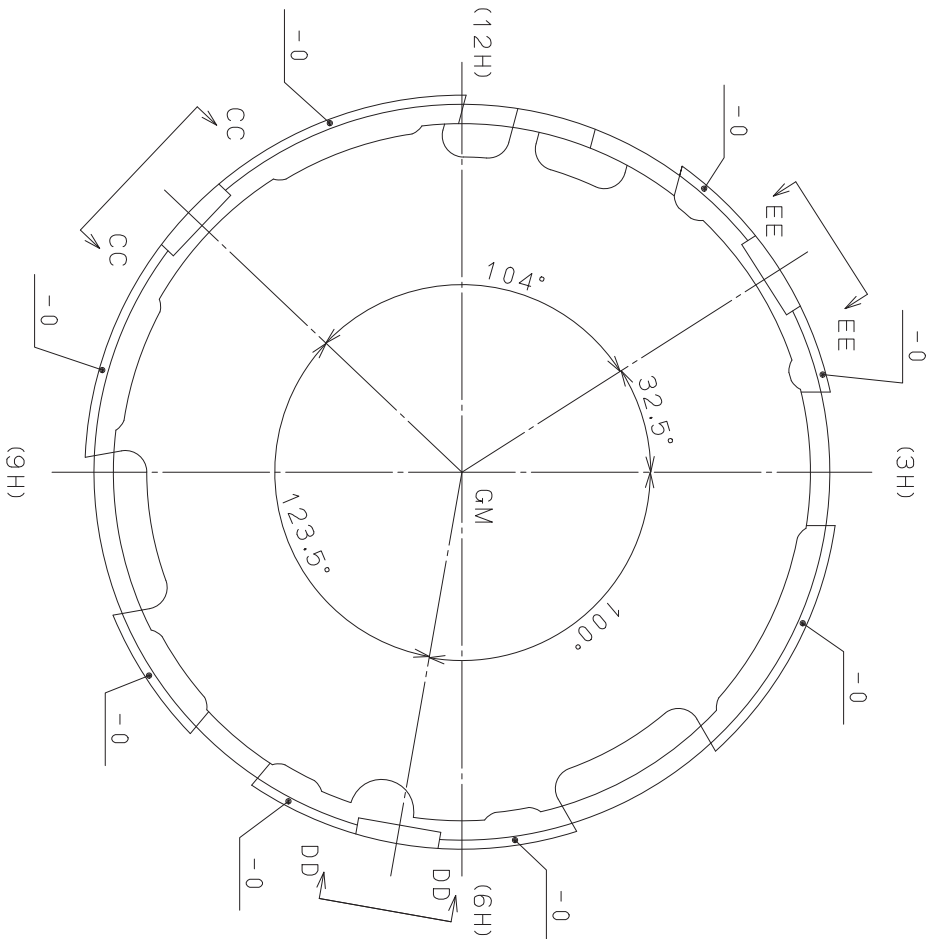
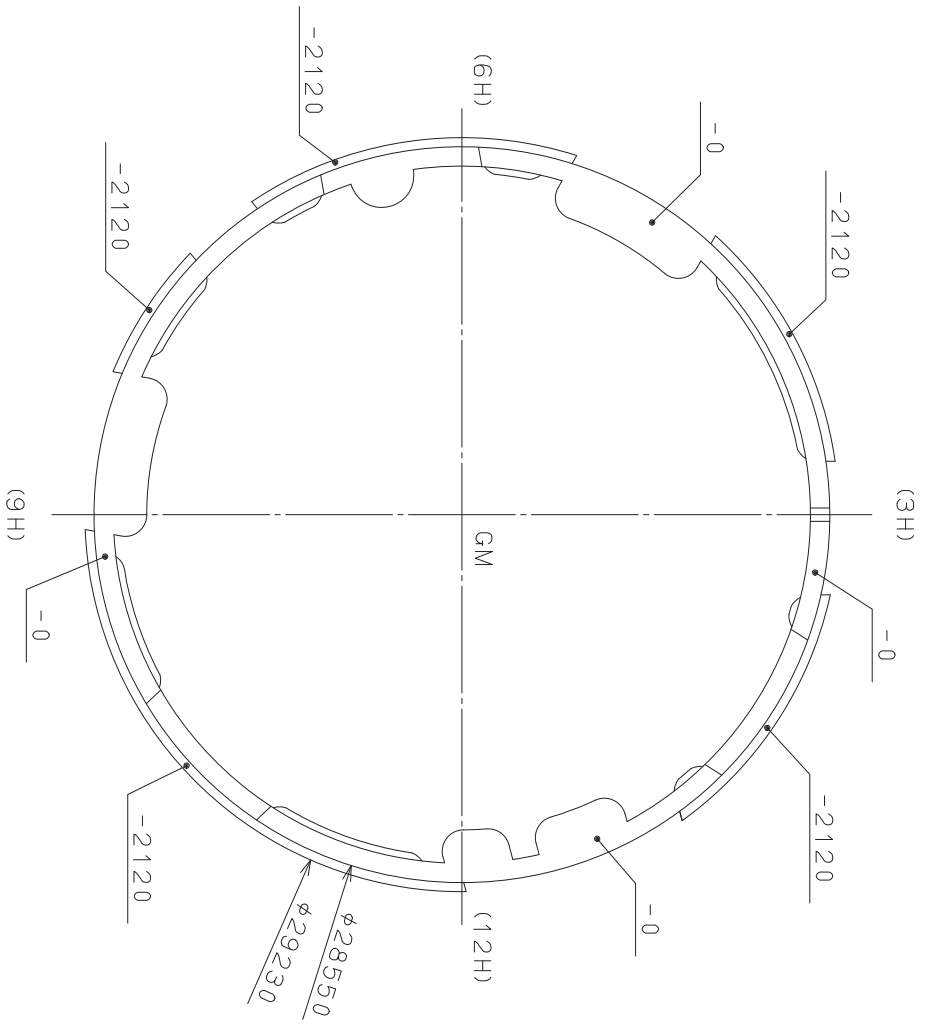
△5			Quantity		Cal.NO.: 82D7-43A
△4			Unit	1 / 1000 mm	82D7-43G
△3			Scale	5 : 1	Parts No.:
△2			Date		
△1			Drawn		
Mark	Date	Description	Appr.	Checked	M. Kobayashi
Alterations			Approved	Name:	
Material				Indications for Dial	
Heat Treatment				Drawing No.: 82D7D000	
Hardness				MIYOTA CITIZEN WATCH CO., LTD. TOKYO, JAPAN	
Plating					

2008/11/14 (11:30:42)

This drawing is provisional and subject to our reconfirmation and/or revision without notice.



⑤			Quantity		Cal.NO.:
④			Unit	1/1000mm	
③			Scale	15:1	Parts No.:
②			Date		065-212
①			Drawn		Name:
Mark	Date	Description	Appr.	Checked	N. Suzuki
Alterations			Approved	SETTING STEM	
Material				Drawing No.: 2120S001	
Heat Treatment				MIYOTA CITIZEN WATCH CO., LTD. TOKYO, JAPAN	
Hardness					
Plating					



View CC-CC
DD-DD, EE-EE

△	Quantity	1/1000 mm	Cal. No.:
△	Unit	5 : 1	Parts No.:
△	Scale	500-710	
△	Date		
△	Date		
△	Drawn		
Mark	Date	Appr.	Checked
Alterations	N. Suzuki		
Material	Casing Holder		
Heat Treatment	Drawing No.: 8200E002		
Hardness	General Tolerances		
Plating	Dimensions		
	Angles		
	CITIZEN WATCH CO., LTD. TOKYO, JAPAN		

MIYOTA