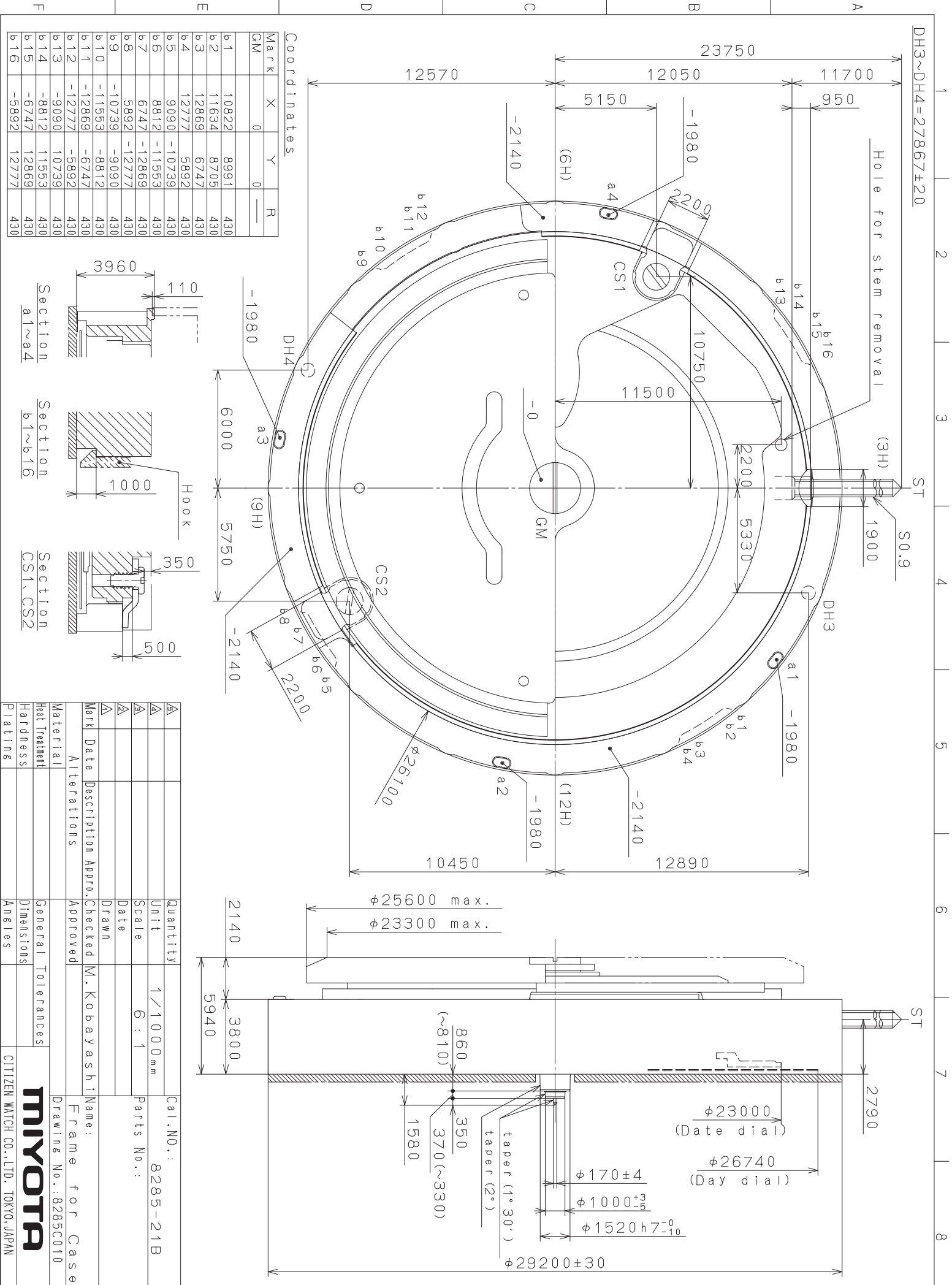
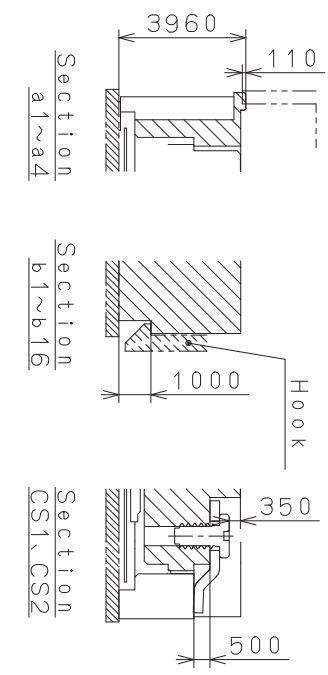


This drawing is provisional and subject to our reconfirmation and/or revision without notice.



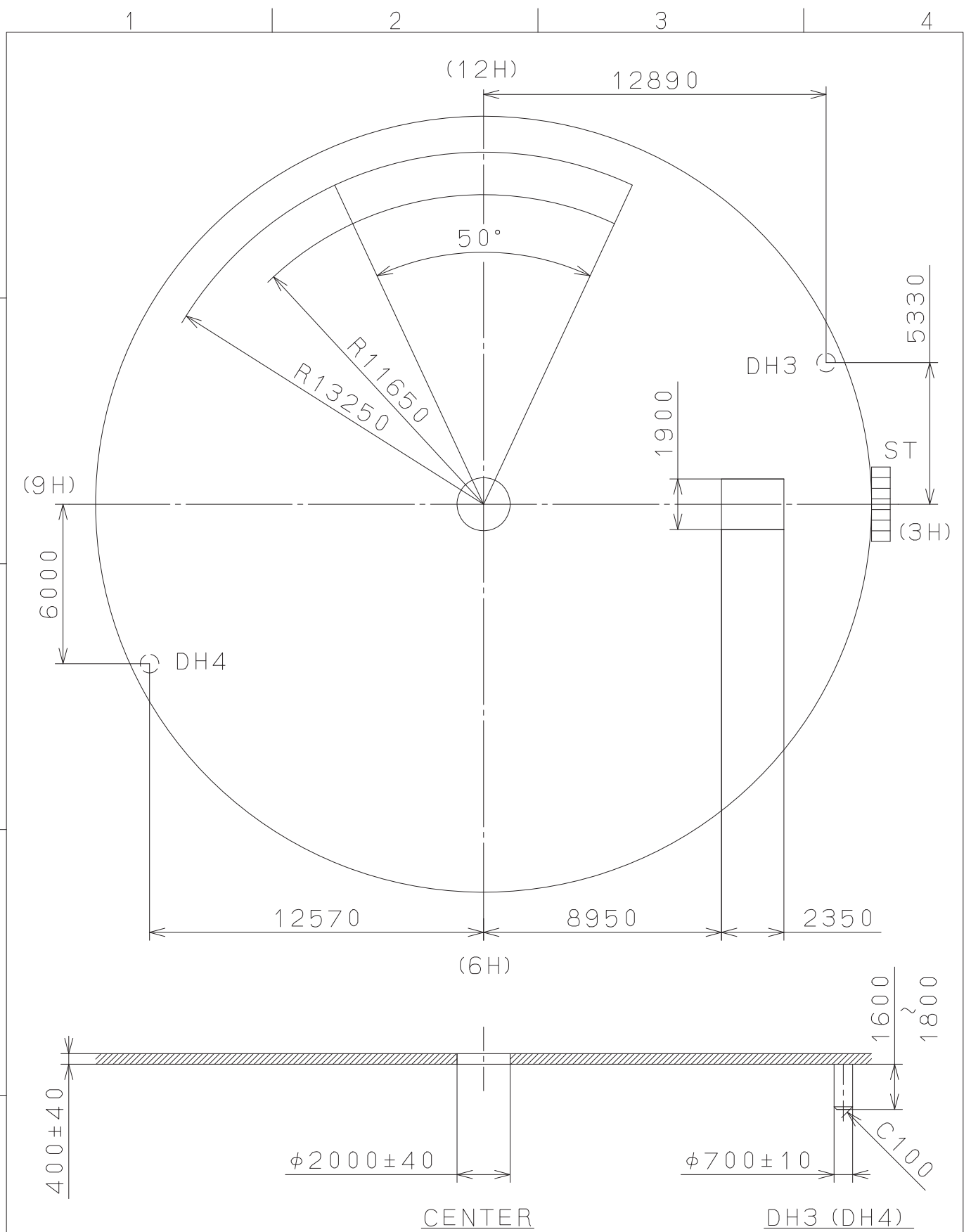
Coordinates			
Mark	X	Y	R
GM	0	0	—
b1	10822	8991	430
b2	11634	8705	430
b3	12869	6747	430
b4	12777	5892	430
b5	9090	-10739	430
b6	8812	-11553	430
b7	6747	-12869	430
b8	5892	-12777	430
b9	-10739	-9090	430
b10	-11553	-8812	430
b11	-12869	-6747	430
b12	-12777	-5892	430
b13	-9090	10739	430
b14	-8812	11553	430
b15	-6747	12869	430
b16	-5892	12777	430



Material	Quantity	Unit	Cal. NO.:
Alterations <td></td> <td></td> <td>8285-21B</td>			8285-21B
Material		1/1000 mm	
Heat Treatment		Scale	6 : 1
Hardness		Date	
Plating		Drawn	
		Checked	
		Approved	
		M. Kobayashi	
		Name:	
		Frame for Case	
		Drawing No.: 8285C010	
		General Tolerances	
		Dimensions	
		Angles	

MIYOTA
CITIZEN WATCH CO., LTD. TOKYO, JAPAN

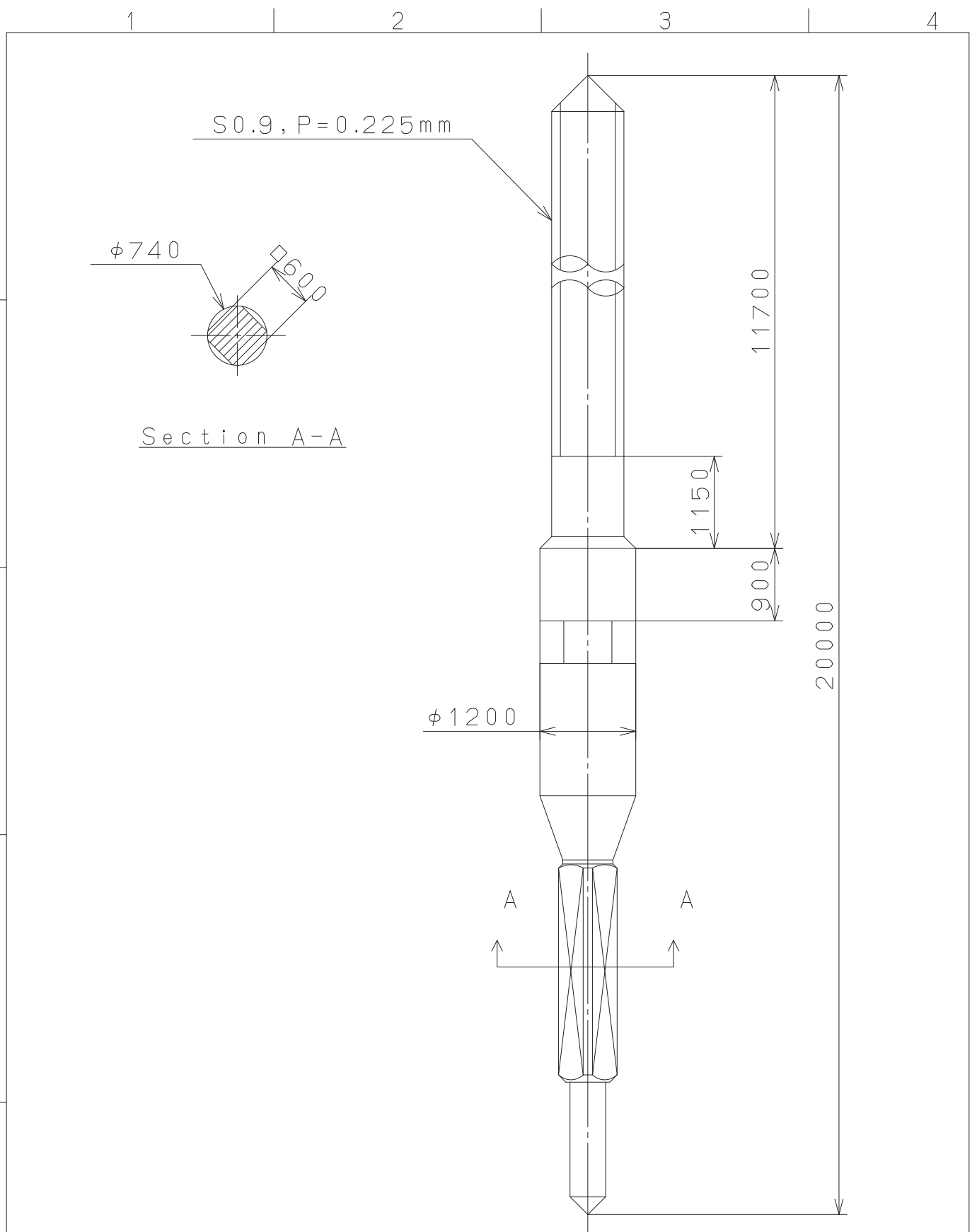
This drawing is provisional and subject to our reconfirmation and/or revision without notice.



△5			Quantity		Cal.NO.:
△4			Unit	1 / 1000 mm	8285-21B
△3			Scale	5 : 1	Parts No.:
△2			Date		
△1			Drawn		
Mark	Date	Description	Appr.	Checked	M. Kobayashi
Alterations			Approved	Name:	
Material					Indications for Dial
Heat Treatment					Drawing No.: 8285D010
Hardness					MIYOTA
Plating					

2008/11/14 (11:30:42)

This drawing is provisional and subject to our reconfirmation and/or revision without notice.



⑤			Quantity		Cal.NO.:
④			Unit	1/1000mm	
③			Scale	15:1	Parts No.:
②			Date		065-212
①			Drawn		
Mark	Date	Description	Appr.	Checked	Name:
		Alterations	Approved	N. Suzuki	SETTING STEM
Material					Drawing No.: 2120S001
Heat Treatment			General Tolerances	MIYOTA CITIZEN WATCH CO., LTD. TOKYO, JAPAN	
Hardness			Dimensions		
Plating			Angles		